

DRAWN CUP NEEDLE ROLLER BEARINGS



A. products range

Series	Structure description
HK	Drawn cup with needle roller and cage assembly, both ends open
BK	Drawn cup with needle roller and cage assembly, one end closed
SCE	Drawn cup needle roller bearing, both ends open, inch series
BCE	Drawn cup needle roller bearing, one end closed, inch series
HF	Drawn cup roller clutch with steel springs
HFL	Drawn cup roller clutch with plain or rolling bearing assembly and steel springs
F	Drawn cup needle roller bearing, both ends open, full complement needle roller set

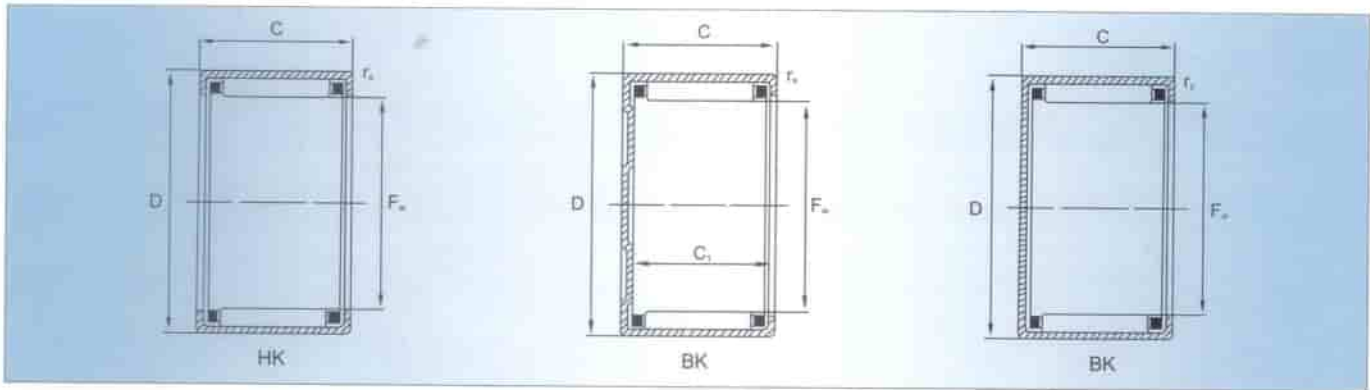
B. bearings inspection

Since drawn cup outer ring is thin and easy to be deformed during heat treatment, it's meaningless to inspect the bearings before installation. We can get the final size and precision only after the bearings are be pressed into basic gauge.

Needle group internal diameter F_w (mm)		$\Delta F_{wmin} = F_{wmin} - F_w$	
over	to	Upper deviation	Lower deviation
3	6	+28	+10
6	10	+31	+13
10	18	+34	+16
18	30	+41	+20
30	50	+50	+25
50		+60	+30

Needle group internal diameter F_w (mm)		Standard circle internal diameter	Standard circle tolerance μm	Standard circle wall thickness
over	to			
6	10	D-0.016	According to GB1957/IT8	≥ 20
10	18	D-0.020		
18	30	D-0.024		
30	50	D-0.028		
50	80	D-0.033		

Bearings internal diameter F_w (mm)		Stopper outer diameter		Stopper tolerance μm
over	to	through	stop	
3	6	$F_w+0.010$	$F_w+0.030$	According to GB1957/IT7
6	10	$F_w+0.013$	$F_w+0.033$	
10	18	$F_w+0.016$	$F_w+0.036$	
18	30	$F_w+0.020$	$F_w+0.043$	
30	50	$F_w+0.025$	$F_w+0.052$	
50		$F_w+0.03$	$F_w+0.062$	



Shaft Diameter	Bearing Designation and Mass Approx						Boundary Dimensions			Basic Load Rating		Limiting Speed
	Open end		Mass	Closed end		Mass	F _w	D	C	C _d Dynamic	C _s Static	Oil
	Current	Original Code	g	Current	Original Code	g	mm			N		rpm
4	HK 0408 TN	37941/4	1.6	BK 0408 TN	35941/4	1.8	4	8	8	1 540	1 070	40 000
5	HK 05×8.5×07	-	1.8	-	-	-	5	8.5	7	2 000	1 650	39 000
	HK 05×09×08	-	1.9	-	-	-	5	9	8	2 200	1 790	36 000
6	HK 0509	47941/5	2	BK 0509	45941/5	2.1	5	9	9	2 200	1 790	36 000
	HK 0607	27941/6	1.8	-	-	-	6	10	7	1 600	1 400	30 000
	HK 0608	37941/6	2.1	BK 0608	35941/6	2.2	6	10	8	1 830	1 550	32 000
	HK 0609	47941/6	2.2	BK 0609	45941/6	2.6	6	10	9	2 650	2 400	30 000
	HK 0611	-	2.3	-	-	-	6	10	11	1 700	1 500	29 000
	HK/06×12×08	7941/6	2.5	-	-	-	6	12	8	2 230	2 010	33 000
	HK 0708	-	2.2	-	-	-	7	11	8	2 800	2 150	27 000
7	HK 0709	47941/7	2.3	BK 0709	45941/7	2.9	7	11	9	2 800	2 150	27 000
	HK/07×12×08	-	2.2	-	-	-	7	12	8	3 300	3 220	37 000
	HK/07×12×09	-	2.4	-	-	-	7	12	9	3 400	3 150	37 000
	HK 0808	37941/8	2.7	BK 0808	35941/8	3	8	12	8	2 550	2 400	21 000
8	HK 0810	57941/8	3	BK 0810	55941/8	3.4	8	12	10	3 700	3 450	21 000
	HK 08×14×10	27942/8	5.35	BK 08×14×10	25942/8	5.8	8	14	10	3 800	3 950	25 000
	HK 08×14×12	37942/8	6.6	-	-	-	8	14	12	4 100	4 320	25 000
	HK 0908	37941/9	3	BK 0908	35941/9	3.4	9	13	8	3 650	4 050	25 000
9	HK 0910	57941/9	4	BK 0910	55941/9	4.3	9	13	10	4 050	4 250	25 000
	HK 0911	-	4.1	-	-	-	9	13	11	4 300	4 700	25 000
	HK 0912	67941/9	4.6	BK 0912	65941/9	4.9	9	13	12	5 000	6 000	25 000
	HK 09×15×10	27942/9	5.6	-	-	-	9	15	10	5 300	6 300	25 000
	HK/10×13×08	-	3.5	-	-	-	10	13	8	4 100	4 800	20 000
10	HK 1010	57941/10	4.1	BK 1010	55941/10	4.3	10	14	10	3 900	4 800	19 000
	HK 1012	67941/10	4.8	BK 1012	65941/10	5	10	14	12	5 000	6 300	19 000
	HK 1015	-	6	BK 1015	-	6.2	10	14	15	6 700	7 800	19 000
	HK/10×15×15	-	6.5	-	-	-	10	15	15	6 800	8 800	18 000
	HK 10×16×10	-	6.5	BK 10×16×10	-	6.8	10	16	10	6 800	8 800	18 000
	HK 10×16×12	DB1012	7.5	-	-	-	10	16	12	6 800	8 800	18 000
	HK/10×16×15	7942/10	11	-	-	-	10	16	15	6 800	8 800	19 000
	HK/10×17×15	-	11.5	-	-	-	10	17	15	7 200	8 000	19 000
	HK/10×18×12	-	8.5	-	-	-	10	18	12	7 200	8 000	19 000
	12	HK 1208	37941/12	3.3	-	-	-	12	16	8	7 200	8 000
HK 1210		57941/12	4.6	BK 1210	55941/12	5.2	12	16	10	4 150	5 800	19 000
HK 1212		67941/12	5.6	BK 1212	65941/12	6.2	12	16	12	3 800	5 100	15 000
HK/12×17×12		7941/12	7.5	-	-	-	12	17	12	5 100	7 000	15 000
HK/12×17×15		7942/12	9.5	-	-	-	12	17	15	5 100	7 000	15 000
HK/12×17×18		7943/12	11	-	-	-	12	17	18	5 100	7 000	15 000
HK 12×18×12		37942/12	9.1	BK 12×18×12	35942/12	10.3	12	18	12	5 500	6 300	17 000
HK 12×18×14		67942/12	10.6	-	-	-	12	18	14	6 500	6 300	15 000
HK/12×19×12		-	10	-	-	-	12	19	12	6 800	7 400	15 000
13		HK 1311	-	8.5	-	-	-	13	19	11	6 300	6 300
	HK 1312	-	8.9	BK 1312	-	11.2	13	19	12	6 200	7 100	17 000

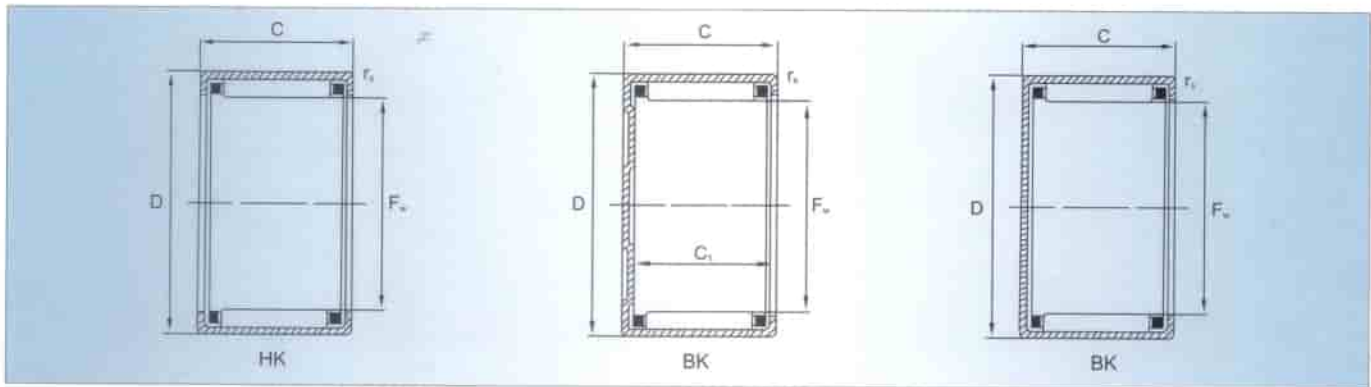
TN = plastic cage, permissible operating temperature: 120°C (Continuous operation).

Limiting speed for oil lubrication. For grease lubrication, 60% of the values given in the table is permissible.



Shaft Diameter	Bearing Designation and Mass Approx						Boundary Dimensions			Basic Load Rating		Limiting Speed	
	Open end		Mass	Closed end		Mass	F _w	D	C	C _d Dynamic	C _s Static	Oil	
	mm	Current	Original Code	g	Current	Original Code	g	mm			N	rpm	
13.5	HK 13.5×19×12	-	-	11	-	-	-	13.5	19	12	6 200	7 100	16 000
	HK/13.5×20×12	7941/13.5	-	10.8	-	-	-	13.5	20	12	6 250	7 590	16 000
14	HK 1410	27941/14	-	8.3	BK 1412	35941/14	12.1	14	20	10	6 700	7 000	16 000
	HK 1412	37941/14	-	10.5	-	-	-	14	20	12	6 800	7 500	16 000
	HK 1416	57941/14	-	13.9	-	-	-	14	20	16	7 300	9 000	14 000
15	HK 1418	-	-	-	-	-	-	14	20	18	6 500	7 000	14 000
	HK/15×20×12	7941/15	-	8.4	-	-	-	15	20	12	5 800	6 000	14 000
	HK/15×20×16	7942/15	-	11.4	-	-	-	15	20	16	6 000	6 200	14 000
	HK/15×20×20	7943/15	-	13.8	-	-	-	15	20	20	6 100	6 400	14 000
	HK 1512	37941/15	-	11.1	BK 1512	35941/15	12.7	15	21	12	7 000	8 400	14 000
	HK 1514	47941/15	-	12.7	-	-	-	15	21	14	8 500	10 400	13 000
	HK 1515	-	-	14.2	BK 1515	-	15.6	15	21	15	9 100	11 400	13 000
	HK 1516	57941/15	-	15	BK 1516	55941/15	16.5	15	21	16	9 800	11 400	14 000
	HK 1522	SZ-439	-	20.4	BK 1522	-	22	15	21	22	10 400	16 500	14 000
	HK/15×22×12	7948/15	-	12.5	-	-	-	15	22	12	14 300	18 400	13 000
	HK/15×22×12.5	7948/15K	-	13.5	-	-	-	15	22	12.5	14 300	18 400	13 000
	16	TA 1515	-	-	15.2	-	-	-	15	22	15	9 800	11 400
TA 1515Z		-	-	15.2	-	-	-	15	22	15	9 800	11 400	14 000
HK/16×21×06		-	-	5.5	-	-	-	16	21	6	4 200	5 300	12 000
HK/16×21×09		-	-	7.5	-	-	-	16	21	9	4 400	5 600	12 000
HK 1612		37941/16	-	11.7	BK 1612	35941/16	13.8	16	22	12	7 100	9 200	14 000
HK 1614		47941/16	-	14.4	-	-	-	16	22	14	8 800	9 900	12 000
HK 1616		57941/16	-	15.8	BK 1616	55941/16	17.6	16	22	16	10 100	14 300	14 000
HK 1617		SZ-435	-	18	-	-	-	16	22	17	12 900	17 200	12 000
HK 1622		87941/16	-	21.7	BK 1622	85941/16	23.4	16	22	22	11 100	17 400	14 000
17		HK/17×21.5×15	17BTM15	-	10	-	-	-	17	21.5	15	6 300	8 600
	HK 1712	37941/17	-	12.2	BK 1712	35941/17	14.5	17	23	12	6 900	9 300	13 000
	HK 1714	7941/17	-	14	-	-	-	17	23	14	6 800	10 200	10 000
	HK 1716	57941/17	-	15.9	-	-	-	17	23	16	8 500	12 500	10 000
	HK 1718	7942/17	-	19	-	-	-	17	23	18	9 500	10 600	10 000
	HK 1722	7943/17	-	17	-	-	-	17	23	22	10 000	11 500	10 000
	HK/17×24×15	-	-	17	-	-	-	17	24	15	11 200	12 800	10 000
	HK 17×25×14	37942/17K	-	17.7	-	-	-	17	25	14	13 100	14 700	10 000
	HK/17×25×15.5	-	-	20	-	-	-	17	25	15.5	9 320	10 400	10 000
	HK 17×25×18	57942/17K	-	23.5	-	-	-	17	25	18	9 500	10 600	11 000
18	HK 1812	37941/18	-	13.1	BK 1812	35941/18	14.9	18	24	12	7 100	9 900	12 000
	HK 1816	57941/18	-	17.5	BK 1816	55941/18	19.9	18	24	16	10 600	15 300	12 000
	HK 18×24×20	-	-	18	-	-	-	18	24	20	9 000	10 000	11 000
19	HK/19×27×16	TA1916	-	23	-	-	-	19	27	16	8 100	9 500	10 500
20	HK 2010	27941/20	-	11.8	BK 2010	25941/20	14	20	26	10	5 900	7 200	10 000
	HK 2011	-	-	12	-	-	-	20	26	11	7 500	9 200	9 000
	HK 2012	37941/20	-	14.1	BK 2012	35941/20	16.7	20	26	12	7 600	10 100	10 000
	HK 2014	47941/20	-	15.7	-	-	-	20	26	14	9 700	18 100	9 000
	HK 2016	57941/20	-	19.3	BK 2016	55941/20	22.3	20	26	16	11 700	29 100	10 000
	HK 2018	67941/20	-	23.3	-	-	-	20	26	18	7 900	12 800	9 000
	HK 2020	7942/20	-	24.1	BK 2020	75941/20	27.1	20	26	20	13 700	24 000	10 000

Limiting speed for oil lubrication. For grease lubrication, 60% of the values given in the table is permissible.

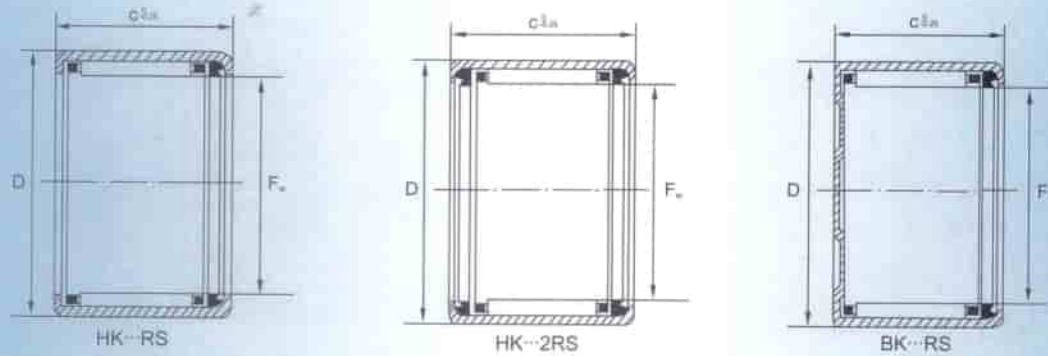


Shaft Diameter	Bearing Designation and Mass Approx						Boundary Dimensions			Basic Load Rating		Limiting Speed	
	Open end		Mass	Closed end		Mass	F _w	D	C	C _{Dynamic}	C _{Static}	Oil	
mm	Current	Original Code	g	Current	Original Code	g	mm			N		rpm	
20	HK 2025	7943/20	28	-	-	-	20	26	25	9 100	14 800	9 900	
	HK 2030	-	34.7	BK 2030	-	37.4	20	26	30	21 800	40 000	10 100	
	HK 20×27×18	-	78	-	-	-	20	27	18	26 000	47 200	9 900	
	HK 20×27×20	-	82	-	-	-	20	27	20	26 300	47 800	9 900	
	HK 20×27×30	-	94	-	-	-	20	27	30	28 500	48 800	9 900	
	HK 20×27×16	47942/20	28.5	-	-	-	20	28	16	29 600	49 800	9 900	
	HK 20×29×18	-	41	-	-	-	20	29	18	30 900	54 600	9 900	
22	HK 22-28×7.5 TN	-	8.8	-	-	-	22	28	7.5	5 200	7 000	10 010	
	HK 2210	27941/22	12.3	-	-	-	22	28	10	7 200	9 500	10 010	
	HK 2212	37941/22	15	BK 2212	35941/22	18.1	22	28	12	8 100	10 400	10 010	
	HK 2216	57941/22	20.9	BK 2216	55941/22	24.3	22	28	16	11 400	18 100	10 010	
	HK 2220	77941/22	26.2	BK 2220	75941/22	29.9	22	28	20	14 500	25 000	10 010	
	HK 2230	-	32	-	-	-	22	28	30	17 500	30 400	9 000	
	HK 22×29×25	-	37	-	-	-	22	29	25	18 100	31 500	9 000	
	HK 22×29×30	-	43	-	-	-	22	29	30	19 400	33 100	9 000	
	HK 22×30×14	37942/22	21.9	-	-	-	22	30	14	19 800	34 000	9 000	
24	HK 24-30×7.5 TN	-	10.6	-	-	-	24	30	7.5	5 800	7 200	10 000	
25	HK 2512	27941/25	20	BK 2512	25941/25	23.3	25	32	12	10 000	14 200	9 000	
	HK 2514	37941/25	21.9	-	-	-	25	32	14	13 600	18 700	9 000	
	HK 2516	7941/25	27.3	BK 2516	7941/25	31	25	32	16	13 600	20 000	9 000	
	HK 2518	57941/25	28.2	-	-	-	25	32	18	17 500	25 800	9 000	
	HK 2520	67941/25	34.1	BK 2520	65941/25	38.7	25	32	20	17 900	30 000	9 000	
	HK 2525	7943/25	40	-	-	-	25	32	25	22 200	36 700	9 000	
	HK 2526	-	44.8	BK 2526	-	49	25	32	26	22 500	42 000	9 000	
	HK 2538	87941/25	64.7	BK 2538	85941/25	69	25	32	38	30 000	58 000	9 000	
	HK 25×33×10	-	17	-	-	-	25	33	10	34 800	69 600	9 000	
	HK 25×33×15	-	27.4	-	-	-	25	33	15	35 700	70 000	9 000	
	HK 25×35×20	57942/25	44.9	-	-	-	25	35	20	36 100	78 650	9 000	
	28	HK 2816	47941/28	30.1	BK 2816	45941/28	34.1	28	35	16	15 400	22 500	8 700
		HK 2818	57941/28	31.7	-	-	-	28	35	18	18 500	29 300	8 700
HK 2820		67941/28	37.6	BK 2820	65941/28	43	28	35	20	18 900	32 000	8 700	
30	HK 3012	27941/30	24	BK 3012	25941/30	27.9	30	37	12	10 100	16 200	8 100	
	HK 3016	47941/30	32	BK 3016	45941/30	37.1	30	37	16	15 200	27 000	8 100	
	HK 3018	57941/30	33.6	-	-	-	30	37	18	19 200	31 500	8 100	
	HK 3020	67941/30	40.1	BK 3020	65941/30	46.5	30	37	20	19 700	33 500	8 100	
	HK 3026	-	52.9	BK 3026	-	59.4	30	37	26	24 000	50 000	8 100	
	HK 3038	-	76.1	BK 3038	-	82.8	30	37	38	32 500	74 000	8 100	
	HK 30×38×12	27941/30K	28	-	-	-	30	38	12	38 100	80 000	8 100	
	HK 30×38×16	7941/30	32.7	-	-	-	30	38	16	39 000	82 000	8 100	
HK 30×38×24	7942/30	49	-	-	-	30	38	24	39 910	88 800	8 100		

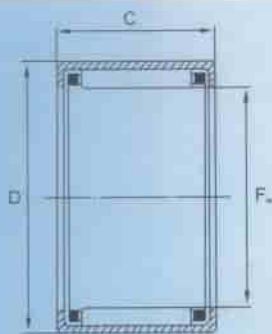


Shaft Diameter	Bearing Designation and Mass Approx						Boundary Dimensions			Basic Load Rating		Limiting Speed
	Open end		Mass	Closed end		Mass	F _w	D	C	C _r Dynamic	C _r Static	Oil
	mm	Current	Original Code	g	Current	Original Code	g	mm			N	rpm
30	HK 30×38×32	7943/30	69	-	-	-	30	38	32	38 890	88 700	8 100
32	HK 32×38×11	-	17	-	-	-	32	38	11	19 700	43 200	7 800
	HK 3224	97941/32	50.7	-	-	-	32	39	24	25 500	52 000	7 300
	HK 3232	77941/32	66.4	-	-	-	32	39	32	22 600	54 300	7 100
	HK 32×39×16	97941/32	33.5	-	-	-	32	39	16	26 000	53 000	7 200
	HK 32×40×32	7943/32	72.7	-	-	-	32	40	32	27 990	59 890	7 100
	HK 32×41×16	7943/32	35	-	-	-	32	41	16	12 000	20 000	7 100
	HK 3512	27941/35	27.7	BK 3512	25941/35	32.9	35	42	12	12 100	19 300	7 100
35	HK 3516	47941/35	36.9	BK 3516	45941/35	43.8	35	42	16	15 700	27 500	7 100
	HK 3520	67941/35	46.1	BK 3520	65941/35	54.8	35	42	20	20 800	41 000	7 100
	HK 35×43×16	7941/35	37	-	-	-	35	43	16	24 200	47 100	6 200
	HK 35×43×25	7942/35	60.5	-	-	-	35	43	25	24 440	48 200	6 200
	HK 35×43×32	7943/35	80	-	-	-	35	43	32	24 870	48 880	6 200
	HK 35×45×12	-	31	-	-	-	35	45	12	24 870	48 880	6 200
	HK 36×42×12	-	23	-	-	-	36	42	12	15 000	21 000	6 000
38	HK 38×48×30	-	102	-	-	-	38	48	30	16 100	24 100	6 300
40	HK 4012	27941/40	31.1	BK 4012	25941/40	38.2	40	47	12	14 000	24 300	6 300
	HK 4016	47941/40	41.4	BK 4016	45941/40	51	40	47	16	20 000	38 500	6 300
	HK 4020	67941/40	51.8	BK 4020	65941/40	62	40	47	20	25 500	52 000	6 300
	HK 40×50×32	7942/40	114.3	-	-	-	40	50	32	23 000	42 000	8 000
	HK 40×50×38	7943/40	130.8	-	-	-	40	50	38	24 100	43 000	6 000
	HK 4512	27941/45	34.8	BK 4512	25941/45	45	45	52	12	12 900	22 500	5 800
45	HK 4516	47941/45	46.2	BK 4516	45941/45	56	45	52	16	19 300	38 000	5 800
	HK 4520	67941/45	56	BK 4520	65941/45	72	45	52	20	22 000	51 000	5 800
	HK 45×55×38	7943/45	135	-	-	-	45	55	38	27 600	61 000	5 300
	HK 50×57×16	-	51.2	-	-	-	50	57	16	15 200	32 500	5 300
50	HK 5012	27941/50	44.2	-	-	-	50	58	12	23 600	57 200	5 300
	HK 5020	57941/50	72	BK 5020	55941/50	87.3	50	58	20	28 000	60 000	5 300
	HK 5025	7943/50	90.1	BK 5025	5943/50	109	50	58	25	34 500	80 000	5 300
	HK 50×60×38	-	140	-	-	-	50	60	38	27 770	63 100	4 600
	HK 5520	57941/55	78	BK 5020	55941/55	93.8	55	63	20	29 500	59 900	4 600
55	HK 5525	77941/55	109	-	-	-	55	63	25	33 500	69 980	4 600
	HK 5528	87941/55	111	BK 5528	85941/55	132	55	63	28	39 090	98 000	4 600
	HK 6012	-	49.2	BK 6012	-	77	60	68	12	12 400	29 000	4 100
60	HK 6020	57941/60	86	BK 6020	55941/60	105	60	68	20	30 500	72 000	4 100
	HK 6032	87941/60	136	BK 6032	85941/60	164	60	68	32	50 000	131 000	4 100

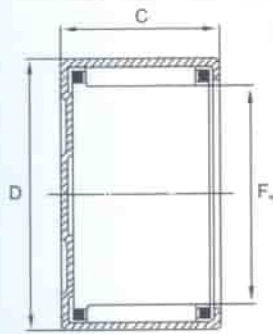
Limiting speed for oil lubrication. For grease lubrication, 60% of the values given in the table is permissible.



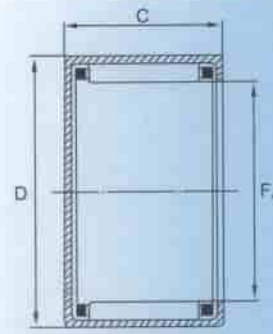
Shaft Diameter mm	Bearing Designation and Mass Approx						Boundary Dimensions				Basic Load Rating		Limiting Speed
	Open end, sealed on one sides	Mass g	Open end, sealed on both sides	Mass g	Close end, sealed on one sides	Mass g	F _e	D	C	C ₁	C _d Dynamic	C _s Static	Grease rpm
											N		
8	HK 0810 RS	2.9	HK 0812 2RS	3.5	-	-	8	12	10	12	2 250	2 100	19 000
9	HK 09 \times 13 \times 12RS	4	-	-	-	-	9	13	12	-	3 800	4 300	19 000
10	HK 1012 RS	4.2	HK 1014 2RS	5.2	-	-	10	14	12	14	4 100	5 000	15 000
12	HK 1214 RS	10.7	HK 1216 2RS	11.5	-	-	12	18	14	16	6 100	7 000	12 000
13	HK 13 \times 19 \times 12 RS	8.9	-	-	-	-	13	19	12	-	6 800	7 580	13 000
14	HK 1414 RS	12	HK 1416 2RS	14	BK 1414 RS	14.1	14	20	14	16	6 100	7 500	11 000
15	HK 1514 RS	12.6	HK 1516 2RS	14.3	BK 1514 RS	14.4	15	21	14	16	6 800	8 800	10 000
	HK 1518 RS	16	HK 1520 2RS	18	-	-	15	21	18	20	9 500	11 400	10 000
16	HK 1614 RS	15.1	HK 1616 2RS	15.1	BK 1614 RS	15.3	16	22	14	16	7 200	9 200	10 000
	-	-	HK 1620 2RS	16.8	-	-	16	22	-	20	9 900	12 300	10 000
17	HK 17 \times 25 \times 14 RS	17.7	-	-	-	-	17	25	14	-	8 000	9 800	13 000
	HK 17 \times 25 \times 15.5 RS	20	-	-	-	-	17	25	15.5	-	9 320	10 400	13 000
	HK 17 \times 25 \times 18 RS	23.5	-	-	-	-	17	25	18	-	10 500	12 600	13 000
	HK 17 \times 25 \times 20 RS	26.2	-	-	-	-	17	25	20	-	11 600	13 200	13 000
18	HK 1814 RS	15.1	HK 1816 2RS	17	-	-	18	24	14	16	7 800	9 900	9 200
20	HK 2012 RS	11.7	-	-	-	-	20	26	12	-	9 500	11 900	9 000
	-	-	HK 2016 2RS	18.8	-	-	20	26	-	16	8 000	10 100	8 200
	HK 2018 RS	21.4	HK 2020 2RS	23.5	BK 2018 RS	24.4	20	26	18	20	12 700	20 100	7 800
	HK 20 \times 29 \times 18 RS	28.8	-	-	-	-	20	29	18	-	8 700	9 980	9 000
22	HK 2212 RS	14	-	-	-	-	22	28	12	-	8 310	1 000	7 800
	HK 2214 RS	18.3	HK 2216 2RS	20.3	-	-	22	28	14	16	9 000	12 400	7 800
	HK 2218 RS	23.5	HK 2220 2RS	25.5	-	-	22	28	18	20	10 400	20 100	7 800
25	-	-	HK 2516 2RS	27.3	-	-	25	32	-	16	9 800	13 200	6 900
	HK 2518 RS	31	HK 2520 2RS	33.1	BK 2518 RS	35.3	25	32	18	20	13 600	20 000	6 900
	-	-	HK 2524 2RS	39.7	-	-	25	32	-	24	17 900	30 000	6 900
	-	-	HK 2530 2RS	47.3	-	-	25	32	-	30	24 500	43 000	6 900
28	-	-	HK 2820 2RS	36.9	-	-	28	35	-	20	11 400	22 500	5 300
30	-	-	HK 3016 2RS	28.5	-	-	30	37	-	16	10 100	16 200	5 300
	HK 3018 RS	36.6	HK 3020 2RS	39.1	-	-	30	37	18	20	16 200	26 000	5 300
	-	-	HK 3024 2RS	49.7	-	-	30	37	-	24	21 000	38 500	5 300
35	-	-	HK 3516 2RS	36.4	-	-	35	42	-	16	10 100	20 300	4 900
	HK 3518 RS	37.4	HK 3520 2RS	41.1	-	-	35	42	18	20	16 700	30 500	4 900
40	-	-	HK 4016 2RS	41.2	-	-	40	47	-	16	11 000	21 300	4 200
	HK 4018 RS	47.3	HK 4020 2RS	50.2	-	-	40	47	18	20	19 000	30 500	4 200
45	HK 4518 RS	54.2	HK 4520 2RS	57.4	-	-	45	52	18	20	20 300	41 000	3 800
50	HK 5022 RS	77.2	HK 5024 2RS	84	-	-	50	58	22	24	30 000	61 000	3 200



SCE SCH

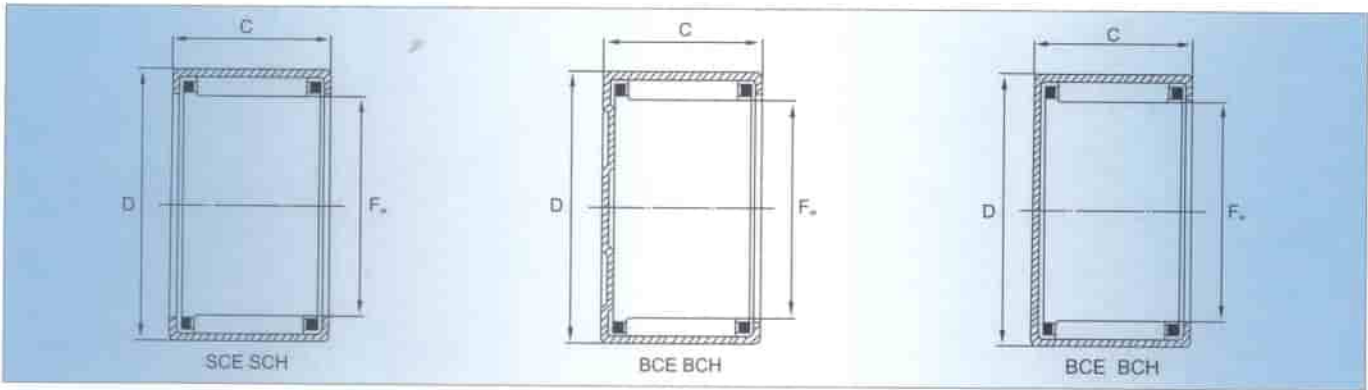


BCE BCH

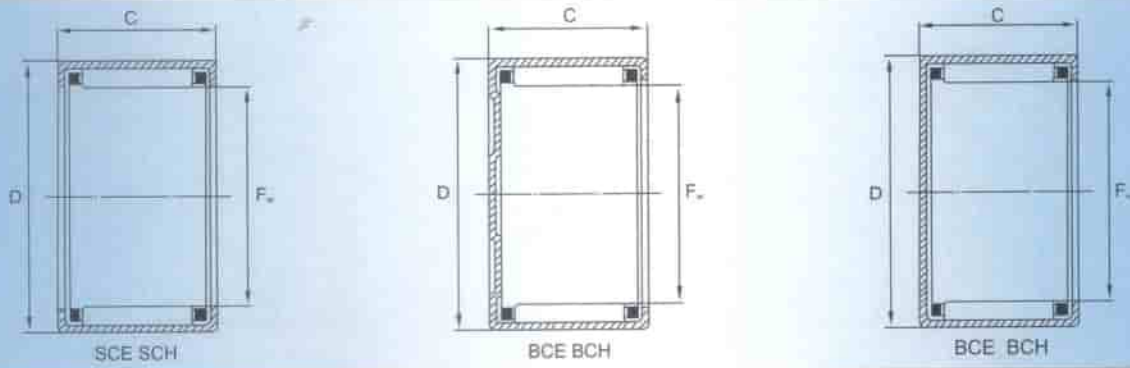


BCE BCH

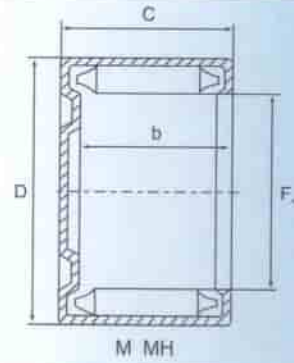
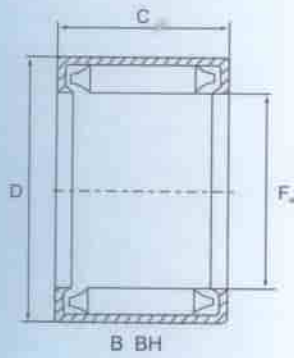
Shaft Diameter	Bearing Designation		Boundary Dimensions			Basic Load Rating		Limiting Speed
	Open end	Closed end	F_w	D	C	C_d Dynamic	C_s Static	
			mm			N		
3.175	SCE24TN	BCE24TN	3.175	6.350	6.350	1 070	740	31 500
3.969	SCE2-1/2-4	-	3.969	7.145	6.350	1 260	940	25 000
	SCE-1/2-4TN	-	3.969	7.145	6.350	1 230	910	25 000
4.762	SCE34TN	BCE34TN	4.762	8.731	6.350	1 790	1 360	21 000
	SCE36TN	BCE36TN	4.762	8.731	9.525	2 750	2 350	21 000
	SCE36	-	4.762	8.731	9.530	2 800	2 440	21 000
6.350	SCE44	BCE44	6.350	11.112	6.350	1 600	1 200	44 000
	SCE45	BCE45	6.350	11.112	7.938	2 500	2 090	44 000
	SCE47	BCE47	6.350	11.112	11.112	4 000	3 850	44 000
7.938	SCE55	BCE55	7.938	12.700	7.938	2 900	2 600	35 500
	SCE57	BCE57	7.938	12.700	11.112	4 700	4 850	35 500
	SCE59	BCE59	7.938	12.700	14.288	6 000	6 600	35 500
9.525	SCH57	BCH57	7.938	14.288	11.112	4 750	4 100	35 500
	SCE65	BCE65	9.525	14.288	7.938	2 900	2 700	29 500
	SCE66	BCE66	9.525	14.288	9.525	3 900	3 950	29 500
11.112	SCE67	BCE67	9.525	14.288	11.112	4 350	4 600	29 500
	SCE68	BCE68	9.525	14.288	12.700	5 800	6 600	29 500
	SCE610	BCE610	9.525	15.875	15.875	7 400	9 000	29 500
12.700	SCH68	BCH68	9.525	15.875	12.700	7 100	7 100	29 500
	SCE78	BCE78	11.112	15.875	12.700	6 400	7 800	25 000
	SCE710	-	11.112	17.462	15.875	8 100	10 700	25 000
14.288	SCH78	BCH78	11.112	17.462	12.700	7 900	8 200	25 000
	SCE85	BCE85	12.700	17.462	7.938	3 650	3 950	22 000
	SCE86	BCE86	12.700	17.462	9.525	4 600	5 400	22 000
15.875	SCE87	BCE87	12.700	17.462	11.112	5 900	7 400	22 000
	SCE88	BCE88	12.700	17.462	12.700	6 900	9 000	22 000
	SCE810	BCE810	12.700	17.462	15.875	8 800	12 300	22 000
17.462	SCE812	BCE812	12.700	17.462	19.050	9 900	14 300	22 000
	SCH87	BCH87	12.700	19.050	11.112	7 340	7 800	22 000
	SCH88	BCH88	12.700	19.050	12.700	8 500	9 400	22 000
19.050	SCH810	BCH810	12.700	19.050	15.875	10 500	12 400	22 000
	SCH812	BCH812	12.700	19.050	19.050	12 600	15 700	22 000
	SCE95	-	14.288	19.050	7.938	4 000	4 700	19 600
20.638	SCE96	BCE96	14.288	19.050	9.525	5 200	6 400	19 600
	SCE97	-	14.288	19.050	11.130	6 600	8 800	19 600
	SCE98	BCE98	14.288	19.050	12.700	7 700	10 800	19 600
22.225	SCE910	BCE910	14.288	19.050	15.875	9 600	14 000	19 600
	SCE912	BCE912	14.288	19.050	19.050	10 700	16 400	19 600
	SCH98	BCH98	14.288	20.638	12.700	9 100	10 600	19 600
23.812	SCH910	BCH910	14.288	20.638	15.875	12 000	15 000	19 600
	SCH912	BCH912	14.288	20.638	19.050	14 400	19 000	19 600
	SCE105	BCE105	15.875	20.638	7.938	4 300	5 200	17 600
25.400	SCE107	BCE107	15.875	20.638	11.112	6 600	9 300	17 600
	SCE107-1/2	BCE107-1/2	15.875	20.638	11.910	7 100	10 300	17 600
	SCE108	BCE108	15.875	20.638	12.700	8 100	12 000	17 600



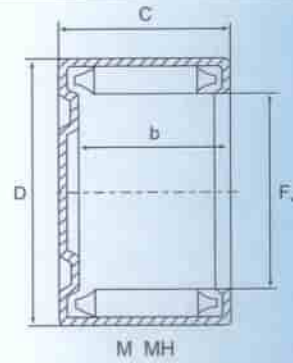
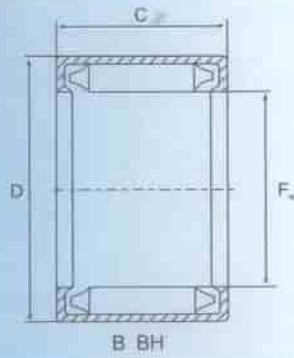
Shaft Diameter	Bearing Designation		Boundary Dimensions			Basic Load Rating		Limiting Speed
	Open end	Closed end	F _w	D	C	C _d Dynamic	C _s Static	
			mm			N		
15.875	SCE1010	BCE1010	15.875	20.638	15.875	10 400	16 300	17 600
	SCE1012	BCE1012	15.875	20.638	19.050	12 100	19 700	17 600
	SCH108	BCH108	15.875	22.225	12.700	10 000	12 200	17 600
	SCH1010	BCH1010	15.875	22.225	15.875	12 700	16 700	17 600
	SCH1012	BCH1012	15.875	22.225	19.050	14 700	20 000	17 600
	SCH1016	BCH1016	15.875	22.225	25.400	19 100	28 000	17 600
17.462	SCE116	-	17.462	22.225	9.525	5 700	7 900	16 000
	SCE118	BCE118	17.462	22.225	12.700	8 600	13 200	16 000
	SCE1110	BCE1110	17.462	22.225	15.875	10 900	18 000	16 000
	SCE1112	BCE1112	17.462	22.225	19.050	12 400	21 000	16 000
	SCH117	BCH117	17.462	23.812	11.112	8 400	10 000	16 000
	SCH1110	BCH1110	17.462	23.812	15.875	12 900	17 100	16 000
19.050	SCH1112	BCH1112	17.462	23.812	19.050	15 900	22 700	16 000
	SCE126	BCE126	19.050	25.400	9.525	7 100	8 300	14 700
	SCE128	BCE128	19.050	25.400	12.700	9 800	12 500	14 700
	SCE1210	BCE1210	19.050	25.400	15.875	128 000	17 500	14 700
	SCE1212	BCE1212	19.050	25.400	19.050	15 300	22 100	14 700
	SCH1212	BCH1212	19.050	26.988	19.050	18 500	23 600	14 700
20.638	SCE136	-	20.638	26.988	9.525	7 100	8 400	13 600
	SCE138	BCE138	20.638	26.988	12.700	10 800	14 300	13 600
	SCE1312	BCE1312	20.638	26.988	19.050	15 900	23 700	13 600
	SCE1314	-	20.638	26.988	22.225	18 500	29 000	13 600
	SCH1310	BCH1310	20.638	28.575	15.875	159 000	20 700	13 600
	SCH1312	BCH1312	20.638	28.575	19.050	19 200	26 500	13 600
22.225	SCE146	BCE146	22.225	28.575	9.525	8 200	10 700	12 600
	SCE148	BCE148	22.225	28.575	12.700	11 200	15 800	12 600
	SCE1412	BCE1412	22.225	28.575	19.050	16 900	27 000	12 600
	SCE1416	BCE1416	22.225	28.575	25.400	22 100	38 000	12 600
	SCH1412	BCH1412	22.225	30.612	19.050	19 500	27 000	12 600
	SCH1416	BCH1416	22.225	30.612	25.400	25 500	38 500	12 600
23.812	SCE1516	BCE1516	23.812	30.612	25.400	24 100	43 000	11 800
25.400	SCE166	BCE166	25.400	31.750	9.525	7 800	10 200	11 000
	SCE168	BCE168	25.400	31.750	12.700	12 600	19 100	11 000
	SCE1612	BCE1612	25.400	31.750	19.050	18 500	31 500	11 000
	SCE1616	BCE1616	25.400	31.750	25.400	24 800	45 500	11 000
	SCH1610	BCH1610	25.400	33.338	15.875	16 700	22 700	11 000
	SCH1612	BCH1612	25.400	33.338	19.050	20 000	28 500	11 000
28.575	SCH1616	BCH1616	25.400	33.338	25.400	28 900	46 300	11 000
	SCE186	BCE186	28.575	34.925	9.525	8 300	11 500	9 800
	SCE188	BCE188	28.575	34.925	12.700	12 800	20 200	9 800
	SCE1812	BCE1812	28.575	34.925	19.050	18 900	34 000	9 800
	SCE1816	BCE1816	28.575	34.925	25.400	26 000	49 500	9 800
	SCH1810	BCH1810	28.575	38.100	15.875	21 800	29 000	9 800
28.575	SCH1812	BCH1812	28.575	38.100	19.050	25 000	35 000	9 800
	SCH1816	BCH1816	28.575	38.100	25.400	31 500	46 500	9 800



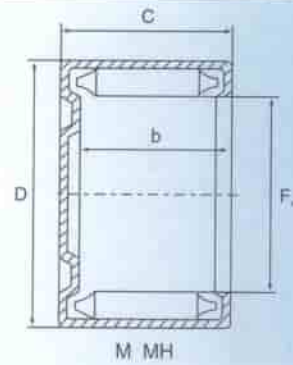
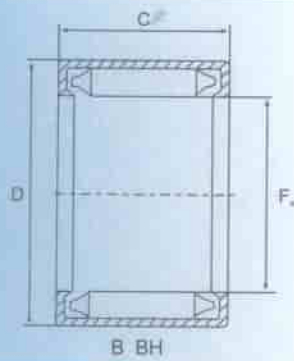
Shaft Diameter	Bearing Designation		Boundary Dimensions			Basic Load Rating		Limiting Speed
	Open end	Closed end	F_w	D	C	C_d Dynamic	C_s Static	
			mm			N		
28.575	SCH1818	BCH1818	28.575	38.100	28.580	40 500	65 000	9 800
	SCH1820	BCH1820	28.575	38.100	31.750	40 900	64 500	9 800
30.162	SCE1916	-	30.162	38.100	25.400	33 000	57 000	9 300
31.750	SCE208	BCE208	31.750	38.100	12.700	13 500	22 200	8 800
	SCE2010	BCE2010	31.750	38.100	15.875	16 500	29 000	8 800
	SCE2012	BCE2012	31.750	38.100	19.050	21 100	39 500	8 800
	SCE2016	BCE2016	31.750	38.100	25.400	27 000	55 000	8 800
	SCE2020	BCE2020	31.750	38.100	31.750	33 500	71 000	8 800
	SCH208	BCH208	31.750	41.275	12.700	16 400	21 000	8 800
	SCH2012	BCH2012	31.750	41.275	19.050	27 100	39 500	8 800
	SCH2016	BCH2016	31.750	41.275	25.400	36 000	57 500	8 800
	SCH2020	BCH2020	31.750	41.275	31.750	43 600	72 900	8 800
	33.338	SCE2110	-	33.338	41.275	15.875	21 100	34 000
34.925	SCE228	BCE228	34.925	41.275	12.700	13 600	23 700	8 000
	SCE2212	BCE2212	34.925	41.275	19.050	21 500	42 500	8 000
	SCE2216	-	34.925	41.275	25.400	27 500	59 000	8 000
	SCE2220	BCE2220	34.925	41.275	31.750	34 000	77 000	8 000
	SCH2212	BCH2212	34.925	44.450	19.050	29 500	45 000	8 000
	SCH2216	BCH2216	34.925	44.450	25.400	39 000	65 000	8 000
38.100	SCE248	BCE248	38.100	47.625	12.700	18 600	26 000	7 400
	SCE2410	BCE2410	38.100	47.625	15.875	24 400	36 500	7 400
	SCE2412	BCE2412	38.100	47.625	19.050	30 500	48 500	7 400
	SCE2414	BCE2414	38.100	47.625	22.225	36 000	60 000	7 400
	SCE2416	BCE2416	38.100	47.625	25.400	38 500	66 000	7 400
	SCE2420	BCE2420	38.100	47.625	31.750	47 500	86 000	7 400
	41.275	SCE2610	BCE2610	41.275	50.800	15.875	25 500	40 000
	SCE2620	BCE2620	41.275	50.800	31.750	51 000	97 000	6 800
44.450	SCE2812	BCE2812	44.450	53.975	19.050	31 500	55 000	6 300
	SCE2816	BCE2816	44.450	53.975	25.400	41 500	76 000	6 300
	SCE2820	-	44.450	53.975	31.750	55 000	108 000	6 300
	SCE2824	BCE2824	44.450	53.975	38.100	62 000	130 000	6 300
	50.800	SCE328	-	50.800	60.325	12.700	21 800	35 000
	SCE3210	-	50.800	60.325	15.875	28 500	49 000	5 500
	SCE3216	BCE3216	50.800	60.325	25.400	41 500	80 000	5 500
	SCE3220	-	50.800	60.325	31.750	55 000	116 000	5 500
53.975	SCE348	-	53.975	63.500	12.700	5 200	39 000	5 200
	SCE3410	BCE3410	53.975	63.500	15.875	31 000	57 000	5 200
	SCE3416	-	53.975	63.500	25.400	50 000	103 000	5 200
57.150	SCE3612	BCE3612	57.150	66.675	19.050	37 500	72 000	4 900
	SCE3616	BCE3616	57.150	66.675	25.400	50 000	107 000	4 900
69.850	SCE4412	BCE4412	69.850	79.375	19.050	38 500	80 000	4 000



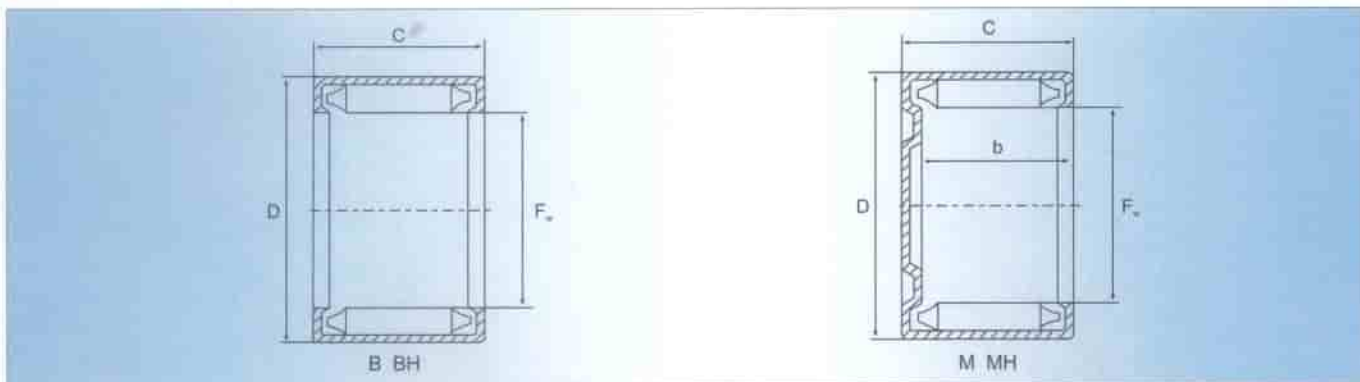
Shaft Diameter	Bearing Designation		Boundary Dimensions			Basic Load Rating		Limiting Speed
	Open end	Closed end	F_o	D	C	C_d Dynamic	C_s Static	
			mm			N		rpm
6.35	B-44	M-441	6.35	11.11	6.35	566	531	10 000
	B-45	M-451	6.35	11.11	7.92	768	786	10 000
	B-47	M-471	6.35	11.11	11.13	1 210	1 410	10 000
7.94	B-55	M-551	7.94	12.70	7.92	883	985	8 300
	B-56	-	7.94	12.70	9.52	1 140	1 370	8 300
	B-57	M-571	7.94	12.70	11.13	1 390	1 770	8 300
	B-59	-	7.94	12.70	14.27	1 850	2 550	8 300
	BH-57	-	7.94	14.29	11.13	1 530	1 590	11 000
9.52	BH-59	-	7.94	14.29	14.27	2 080	2 340	11 000
	B-65	M-651	9.52	14.29	7.92	984	1 180	7 100
	B-66	M-661	9.52	14.29	9.52	1 280	1 650	7 100
	B-67	-	9.52	14.29	11.13	1 550	2 120	7 100
	B-68	M-681	9.52	14.29	12.70	1 810	2 590	7 100
	B-69	-	9.52	14.29	14.27	2 070	3 070	7 100
	B-610	M-6101	9.52	14.29	15.88	2 310	3 530	7 100
	BH-68	-	9.52	15.88	12.70	2 050	2 380	9 400
11.11	B-76	-	11.11	15.88	9.52	1 390	1 930	6 300
	B-77	-	11.11	15.88	11.13	1 700	2 480	6 300
	B-78	M-781	11.11	15.88	12.70	1 980	3 030	6 300
	B-710	-	11.11	15.88	15.88	2 520	4 130	6 300
	BH-78	-	11.11	17.46	12.70	2 260	2 780	8 300
12.70	B-85	-	12.70	17.46	7.92	1 160	1 580	5 500
	B-86	M-861	12.70	17.46	9.52	1 500	2 200	5 500
	B-87	M-871	12.70	17.46	11.13	1 830	2 840	5 500
	B-88	M-881	12.70	17.46	12.70	2 130	3 460	5 500
	B-810	M-8101	12.70	17.46	15.88	2 720	4 720	5 500
	B-812	M-8121	12.70	17.46	19.05	3 260	5 980	5 500
	BH-87	-	12.70	19.05	11.13	2 060	2 550	7 500
	BH-88	-	12.70	19.05	12.70	2 450	3 180	7 500
	BH-810	-	12.70	19.05	15.88	3 180	4 440	7 500
	BH-812	-	12.70	19.05	19.05	3 850	5 690	7 500
	14.29	B-95	M-951	14.29	19.05	7.92	1 240	1 780
B-96		-	14.29	19.05	9.52	1 600	2 480	5 000
B-97		-	14.29	19.05	11.13	1 950	3 190	5 000
B-98		-	14.29	19.05	12.70	2 280	3 900	5 000
B-910		-	14.29	19.05	15.88	2 900	5 310	5 000
B-912		M-9121	14.29	19.05	19.05	3 480	6 730	5 000
BH-98		-	14.29	20.64	12.70	2 630	3 580	6 800
BH-910		-	14.29	20.64	15.88	3 400	5 000	6 800
BH-912		-	14.29	20.64	19.05	4 130	6 410	6 800
15.88		B-105	-	15.88	20.64	7.92	1 310	1 980
	B-107	M-1071	15.88	20.64	11.13	2 070	3 550	4 500
	B-108	M-1081	15.88	20.64	12.70	2 410	4 330	4 500
	B-1010	-	15.88	20.64	15.88	3 070	5 900	4 500
	B-1012	M-10121	15.88	20.64	19.05	3 690	7 480	4 500



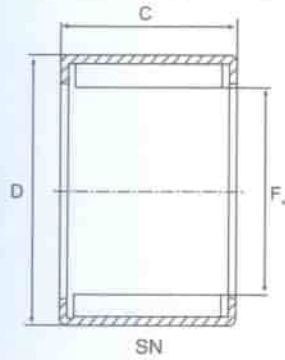
Shaft Diameter	Bearing Designation		Boundary Dimensions			Basic Load Rating		Limiting Speed
	Open end	Closed end	F _w	D	C	C _r Dynamic	C _r Static	
			mm			N		
15.88	BH-108	MH-1081	15.88	22.22	12.70	2 790	3 980	6 200
	BH-1010	-	15.88	22.22	15.88	3 620	5 530	6 200
	BH-1012	-	15.88	22.22	19.05	4 390	7 130	6 200
	BH-1016	-	15.88	22.22	25.40	5 830	10 300	6 200
17.46	B-116	-	17.46	22.22	9.52	1 790	3 030	4 200
	B-118	-	17.46	22.22	12.70	2 540	4 770	4 200
	B-1110	M-11101	17.46	22.22	15.88	3 230	6 500	4 200
	B-1112	M-11121	17.46	22.22	19.05	3 880	8 230	4 200
	BH-117	-	17.46	23.81	11.13	2 480	3 510	5 700
	BH-1110	MH-11101	17.46	23.81	15.88	3 820	6 110	5 700
19.05	BH-1112	-	17.46	23.81	19.05	4 640	7 840	5 700
	B-126	-	19.05	25.40	9.52	2 100	2 900	5 500
	B-128	M-1281	19.05	25.40	12.70	3 100	4 790	5 500
	B-1210	M-12101	19.05	25.40	15.88	4 010	6 670	5 500
20.64	B-1212	M-12121	19.05	25.40	19.05	4 870	8 560	5 500
	B-136	-	20.64	26.99	9.52	2 190	3 140	5 200
	B-138	M-1381	20.64	26.99	12.70	3 240	5 190	5 200
	B-1314	-	20.64	26.99	22.22	5 940	11 300	5 200
	B-1316	M-13161	20.64	26.99	25.40	6 760	13 400	5 200
	BH-1310	-	20.64	28.58	15.88	4 320	6 510	6 200
22.22	BH-1312	-	20.64	28.58	19.05	5 340	8 550	6 200
	B-146	-	22.22	28.58	9.52	2 280	3 380	4 800
	B-148	-	22.22	28.58	12.70	3 370	5 590	4 800
	B-1412	M-14121	22.22	28.58	19.05	5 300	9 990	4 800
	B-1416	M-14161	22.22	28.58	25.40	7 040	14 400	4 800
	B-1418	-	22.22	28.58	28.58	7 860	16 600	4 800
	BH-1410	-	22.22	30.16	15.88	4 470	7 030	5 880
	BH-1412	-	22.22	30.16	19.05	5 530	9 230	5 880
23.81	BH-1416	-	22.22	30.16	25.40	7 480	13 600	5 880
	B-158	-	23.81	30.16	12.70	3 500	5 990	4 500
25.40	B-1516	M-15161	23.81	30.16	25.40	7 300	15 400	4 500
	B-166	-	25.40	31.75	9.52	2 450	3 870	4 300
	B-167	-	25.40	31.75	11.13	3 050	5 120	4 300
	B-168	-	25.40	31.75	12.70	3 620	6 390	4 300
	B-1610	-	25.40	31.75	15.88	4 690	8 910	4 300
	B-1612	M-16121	25.40	31.75	19.05	5 690	11 400	4 300
	B-1616	M-16161	25.40	31.75	25.40	7 560	16 500	4 300
	BH-168	MH-1681	25.40	33.34	12.70	3 600	5 500	5 200
	BH-1610	-	25.40	33.34	15.88	4 830	8 020	5 200
	BH-1612	MH-16121	25.40	33.34	19.05	5 970	10 500	5 200
	BH-1616	MH-16161	25.40	33.34	25.40	8 090	15 600	5 200
	BH-1620	-	25.40	33.34	31.75	10 100	20 600	5 200
26.99	BH-1624	-	25.40	33.34	38.10	11 900	25 600	5 200
	B-1710	-	26.99	33.34	15.88	4 840	9 470	4 000
28.58	B-186	-	28.58	34.92	9.52	2 610	4 350	3 800



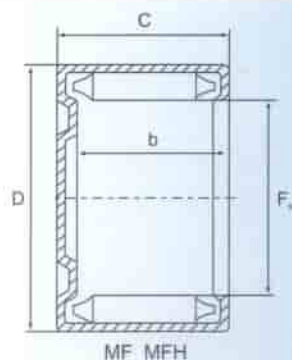
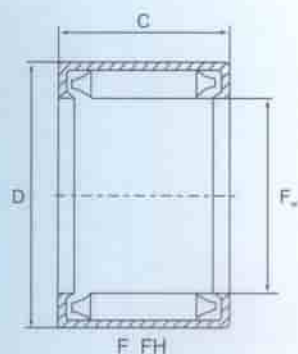
Shaft Diameter	Bearing Designation		Boundary Dimensions			Basic Load Rating		Limiting Speed
	Open end	Closed end	F _w	D	C	C _d Dynamic	C _s Static	
			mm			N		
28.58	B-188	-	28.58	34.92	12.70	3 850	7 190	3 800
	B-1812	-	28.58	34.92	19.05	6 060	12 900	3 800
	B-1816	M-18161	28.58	34.92	25.40	8 050	18 500	3 800
	BH-1812	-	28.58	38.10	19.05	6 920	11 500	5 500
	BH-1816	-	28.58	38.10	25.40	9 420	17 100	5 500
	BH-1820	-	28.58	38.10	31.75	11 800	22 900	5 500
30.16	B-1916	-	30.16	38.10	25.40	8 860	18 500	4 400
31.75	B-208	-	31.75	38.10	12.70	4 080	7 990	3 500
	B-2010	-	31.75	38.10	15.88	5 280	11 100	3 500
	B-2012	-	31.75	38.10	19.05	6 410	14 300	3 500
	B-2016	M-20161	31.75	38.10	25.40	8 510	20 600	3 500
	B-2020	M-20201	31.75	38.10	31.75	10 500	26 900	3 500
	BH-208	-	31.75	41.28	12.70	4 200	6 320	5 000
	BH-2012	-	31.75	41.28	19.05	7 250	12 700	5 000
	BH-2016	-	31.75	41.28	25.40	9 910	19 000	5 000
	BH-2020	-	31.75	41.28	31.75	12 400	25 400	5 000
	33.34	B-218	-	33.34	41.28	12.70	4 180	7 220
B-2110		-	33.34	41.28	15.88	5 600	10 500	4 000
B-2120		-	33.34	41.28	31.75	11 700	27 200	4 000
34.92	B-228	-	34.92	41.28	12.70	4 280	8 790	3 200
	B-2212	-	34.92	41.28	19.05	6 730	15 700	3 200
	B-2216	-	34.92	41.28	25.4	8 950	22 700	3 200
	B-2220	-	34.92	41.28	31.75	11 000	29 600	3 200
	BH-2210	-	34.92	44.45	15.88	6 240	10 600	4 700
	BH-2212	-	34.92	44.45	19.05	7 770	14 100	4 700
	BH-2216	-	34.92	44.45	25.40	10 600	20 900	4 700
	BH-2220	-	34.92	44.45	31.75	13 200	28 000	4 700
38.10	B-248	-	38.10	47.62	12.70	4 780	7 830	4 300
	B-2410	-	38.10	47.62	15.88	6 500	11 600	4 300
	B-2412	-	38.10	47.62	19.05	8 090	15 400	4 300
	B-2414	-	38.10	47.62	22.22	9 590	19 200	4 300
	B-2416	M-24161	38.10	47.62	25.40	11 000	22 800	4 300
	B-2420	M-24201	38.10	47.62	31.75	13 800	30 500	4 300
41.28	B-268	-	41.28	50.80	12.70	4 920	8 390	3 900
	B-2610	-	41.28	50.80	15.88	6 710	12 500	3 900
	B-2616	-	41.28	50.80	25.40	11 400	24 800	3 900
	B-2620	-	41.28	50.80	31.75	14 300	33 000	3 900
44.45	B-2812	-	44.45	53.98	19.05	8 660	17 900	3 700
	B-2816	MH-28161	44.45	53.98	25.40	11 800	26 700	3 700
	B-2820	-	44.45	53.98	31.75	14 800	35 500	3 700
	B-2824	-	44.45	53.98	38.10	17 600	44 300	3 700
47.62	B-308	-	47.62	57.15	12.70	5 380	9 790	3 500
	B-3012	-	47.62	57.15	19.05	9 100	19 200	3 500
	B-3016	-	47.62	57.15	25.40	12 400	28 600	3 500



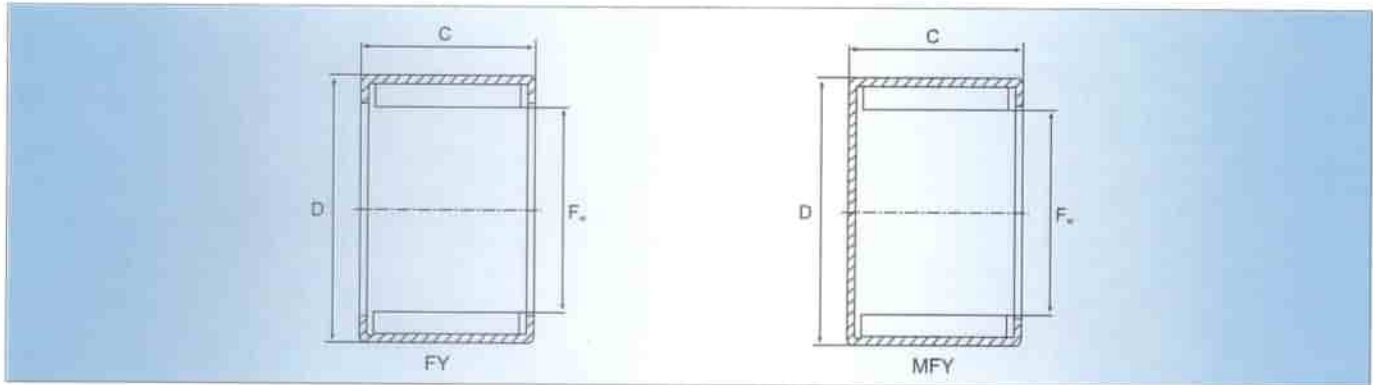
Shaft Diameter	Bearing Designation		Boundary Dimensions			Basic Load Rating		Limiting Speed
	Open end	Closed end	F _w	D	C	C _r Dynamic	C _r Static	
			mm			N		
50.80	B-328	-	50.80	60.32	12.70	5490	10300	3300
	B-3216	M-32161	50.80	60.32	25.40	12700	30500	3300
	B-3320	-	50.80	60.32	31.75	15900	40600	3300
	B-3228	M-32281	50.80	60.32	44.45	21800	60700	3300
52.39	BH-3312	-	52.39	64.29	19.05	10100	19000	4000
	BH-3316	-	52.39	64.29	25.40	14200	29400	4000
53.98	B-348	-	53.98	63.50	12.70	5650	11000	3100
	B-3416	-	53.98	63.50	25.40	13100	32400	3100
	B-3424	-	53.98	63.50	38.10	19500	53900	3100
57.15	B-3612	-	57.15	66.68	19.05	10100	12000	3000
	B-3620	-	57.15	66.68	31.75	17300	23800	3000
	B-3624	-	57.15	66.68	38.10	20500	29700	3000
66.68	B-4216	M-42161	66.68	76.20	25.40	14800	20600	2500
69.85	B-4410	-	69.85	79.38	15.88	8980	10900	2500
	B-4416	-	69.85	79.38	25.40	15300	21600	2500
	B-4420	-	69.85	79.38	31.75	19000	28700	2500



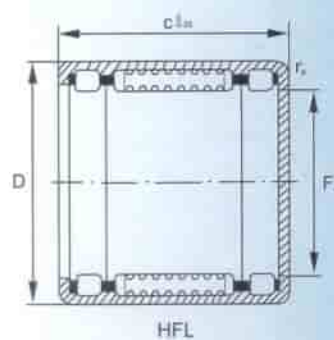
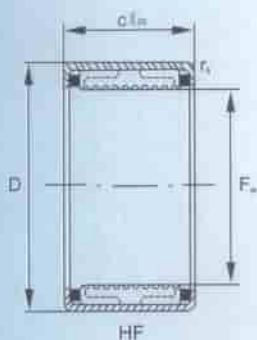
Shaft Diameter	Bearing Designation		Boundary Dimensions			Basic Load Rating		Limiting Speed
	Open end	Closed end	F_w	D	C	C_d Dynamic	C_s Static	
			mm			N		
6.35	SN45	-	6.350	11.112	7.938	4 350	4 900	10 000
7.938	SN55	-	7.938	12.700	7.938	5 600	6 200	8 300
	SN56	-	7.938	12.700	9.525	6 800	8 000	8 300
	SN57	-	7.938	12.700	11.113	6 200	5 800	8 300
9.525	SN65	-	9.525	14.288	7.938	6 200	7 400	7 100
	SN66	-	9.525	14.288	9.525	5 800	5 300	7 100
	SN68	-	9.525	14.288	12.700	7 700	7 700	7 100
11.112	SN76	-	11.112	15.875	9.525	7 600	11 000	6 300
	SN78	-	11.112	15.875	12.700	9 900	16 000	6 300
12.700	SN88	-	12.700	17.462	12.700	11 800	18 400	5 600
	SN810	-	12.700	17.462	15.875	12 900	23 600	5 600
	SN812	-	12.700	17.462	19.050	15 900	29 500	5 600
15.875	SN105	-	15.875	20.638	7.938	6 400	6 700	4 550
17.462	SN116	-	17.462	22.225	9.525	9 300	17 100	4 200
19.050	SN128	-	19.050	25.400	12.700	15 000	25 000	3 750
22.225	SN148	-	22.225	28.575	12.700	17 400	31 500	3 250
28.575	SN1816	-	28.575	34.925	25.400	36 500	90 000	2 600



Shaft Diameter	Bearing Designation and Mass Approx						Boundary Dimensions			Basic Load Rating		Limiting Speed
	Open end		Mass	Closed end		Mass	F _w	D	C	C _r Dynamic	C _r Static	Grease
	mm	Current	Substituted	g	Current	Substituted	g	mm			N	rpm
6	F-0608	30941/6	2.5	-	-	-	6	10	8	3 080	5 800	12 000
6.35	F 6.35×11.11×11.13	B-47	3.2	MF 6.35×11.11×11.13	M-471	4.1	6.35	11.11	11.13	3 500	6 050	12 000
8	F-0810	50941/8	3.7	-	-	-	8	12	10	4 050	7 150	13 000
	FH-0810	941/8	7	-	-	-	8	14	10	5 200	7 150	7 400
9	FH-0812	942/8	9	-	-	-	8	14	12	4 550	7 150	7 400
	F-0910	50941/9	4	-	-	-	9	13	10	4 900	8 050	12 000
	FH-0910	941/9	6	-	-	-	9	15	10	8 000	11 500	7 100
9.52	FH 9×15×13	942/9	8	-	-	-	9	15	13	8 560	12 800	7 100
	F 9.52×14.29×12.70	B-68	7.5	-	-	-	9.52	14.29	12.7	9 000	13 300	7 100
10	F-1010	50941/10	4.2	-	-	-	10	14	10	5 700	9 350	11 000
	FH-1010	941/10	6.5	-	-	-	10	16	10	6 350	10 800	11 000
12	F 10×16×15	942/10	12	-	-	-	10	16	15	6 890	11 500	7 100
	F-1212	60941/12	6	-	-	-	12	16	12	6 380	10 900	7 100
15	F 12×17×12	941/12	8	-	-	-	12	17	12	8 400	11 900	7 100
	F 12×17×15	942/12	10.5	-	-	-	12	17	15	9 000	12 500	7 100
	F 12×17×18	943/12	13	-	-	-	12	17	18	9 800	13 500	7 100
	F 15×20×12	941/15	10	-	-	-	15	20	12	8 400	11 900	7 100
16	F 15×20×16	942/15	13.6	-	-	-	15	20	16	9 500	12 800	7 100
	F 15×20×20	943/15	17.2	-	-	-	15	20	20	10 500	16 000	7 100
	FY 15×20×20	Y/152020	20	-	-	-	15	20	20	10 500	16 000	7 100
17	F-1512	30941/15	12	-	-	-	15	21	12	9 700	15 900	8 100
	F-1616	50941/16	17	-	-	-	16	22	16	14 100	25 900	7 700
	F-1712	30941/17	13	-	-	-	17	23	12	10 600	21 600	7 300
18	F-1714	941/17	15	-	-	-	17	23	14	12 500	22 500	7 300
	F-1718	942/17	21	-	-	-	17	23	18	13 800	24 800	7 300
20	F-1816	50941/18	18	-	-	-	18	24	18	15 000	29 100	6 900
25	F-2014	941/20	17	-	-	-	20	26	14	15 800	40 500	6 900
	F-2020	942/20	26	-	-	-	20	26	20	18 800	42 500	6 900
	F 20×26×25	943/20	33	-	-	-	20	26	25	20 500	35 500	6 300
28	F-2516	941/25	28	-	-	-	25	32	16	18 700	37 900	5 100
	F-2522	942/25	40	-	-	-	25	32	22	11 000	16 500	5 100
	F 25×32×25	943/25	43	-	-	-	25	32	25	11 500	18 500	5 100
30	F 25×33×08	Y/253308	16.7	-	-	-	25	33	8	12 200	16 800	4 300
	F-2820	60941/28	118	-	-	-	28	35	20	25 700	58 300	4 600
32	F-3020	60941/30	42	MF-3020	65941/30	48	30	37	20	26 800	62 500	4 300
	F 30×38×16	941/30	37.5	-	-	-	30	38	16	25 500	57 500	4 600
	F 30×38×20	942/30	37.5	-	-	-	30	38	24	28 800	64 500	4 300
	F 30×38×32	943/30	81.5	-	-	-	30	38	32	34 500	78 900	4 300
	F-3216	40941/32	35	-	-	-	32	39	16	25 800	61 500	4 300



Shaft Diameter	Bearing Designation and Mass Approx.						Boundary Dimensions			Basic Load Rating		Limiting Speed
	Open end		Mass	Closed end		Mass	F _w	D	C	C _r Dynamic	C _s Static	Grease
	Current	Substituted	g	Current	Substituted	g	mm			N		rpm
35	F-3520	60941/35	49	-	-	-	35	42	20	24 000	69 100	3 700
	F 35×43×16	941/35	41	-	-	-	35	43	16	23 500	68 000	3 700
	F 35×43×25	942/35	72	-	-	-	35	43	25	38 700	86 200	3 200
	F 35×43×32	943/35	90	-	-	-	35	43	32	40 500	97 800	3 200
40	F-4020	60941/40	56	-	-	-	40	47	20	30 300	82 600	3 300
	FH-4032	942/40	88	MFH-4032	86942/40	95	40	50	32	42 500	108 000	2 600
	FH 40×50×38	943/40	105	-	-	-	40	50	38	44 800	118 500	2 600
45	F-4520	-	62	-	-	-	45	52	20	30 400	90 100	2 900
	FH 45×55×38	943/45	140	-	-	-	45	55	38	45 800	128 000	2 900
50	F-5020	50941/50	78	-	-	-	50	58	20	35 800	98 000	2 600
	FH 50×60×38	943/50	145	-	-	-	50	60	38	50 500	145 800	2 600
60	F 60×68×40	943/60	185	-	-	-	60	68	40	50 200	145 800	2 600



Shaft Diameter mm	Clutch Designation			Mass Approx g	Boundary Dimensions			Permissible Torque M_{lim} Nm	Limiting Speed	
	Current	Other factory			F_w	D	C		n_{lim}	n_{lim}
		INA	Torrington							
HF Series										
4	HF 0406	HF 0406	FC-4	1	4	8	6	0.34	34 000	14 000
6	HF 0612	HF 0612	FCS-6	3	6	10	12	1.76	23 000	13 000
8	HF 0812	HF 0812	-	3.5	8	12	12	3.15	17 000	2 000
10	HF 1012	HF 1012	FCL-10K	4	10	14	12	5.3	14 000	11 000
12	HF 1216	HF 1216	FC-12	11.6	12	18	16	12.2	11 000	8 000
14	HF 1416	HF 1416	-	13	14	20	16	17.3	9 500	8 000
16	HF 1616	HF 1616	FC-16	14	16	22	16	20.5	8 500	7 500
18	HF 1816	HF 1816	-	15.5	18	24	16	24.1	7 500	7 500
20	HF 2016	HF 2016	FC-20	17	20	26	16	28.5	7 000	6 500
25	HF 2520	HF 2520	FC-25	30.9	25	32	20	66	5 500	6 500
30	HF 3020	HF 3020	FC-30	36	30	37	20	90	4 500	4 500
35	HF 3520	HF 3520	FCS-35	40	35	42	20	121	3 900	3 900
HFL Series										
8	HFL 0822	HFL 0822	FCBL-BK	6.3	8	12	22	3.15	17 000	12 000
10	HFL 1022	HFL 1022	-	7.4	10	14	22	5.3	14 000	11 000
12	HFL 1226	HFL 1226	FCB-12	18	12	18	26	12.2	11 000	8 000
14	HFL 1426	HFL 1426	-	20.3	14	20	26	17.3	9 500	8 000
16	HFL 1626	HFL 1626	FCB-16	22	16	22	26	20.5	8 500	7 500
18	HFL 1826	HFL 1826	-	24.4	18	24	26	24.1	7 500	7 500
20	HFL 2026	HFL 2026	FCB-20	27	20	26	26	28.5	7 000	6 500
25	HFL 2530	HFL 2530	FCB-25	44	25	32	30	66	5 500	5 500
30	HFL 3030	HFL 3030	FCB-30	51	30	37	30	90	4 500	4 500
35	HFL 3520	HFL 3520	-	58	35	42	30	121	3 900	3 900