

# WATER PUMP BEARINGS



### A. products range

Series	Structure description
WB	Double-row balls water pump bearing
WR	One-row balls and one-row rollers water pump bearing
WB...C	Double-row balls water pump bearing (angle contact changed inside)
WR...C	One-row balls and one-row rollers water pump bearing (angle contact changed inside)

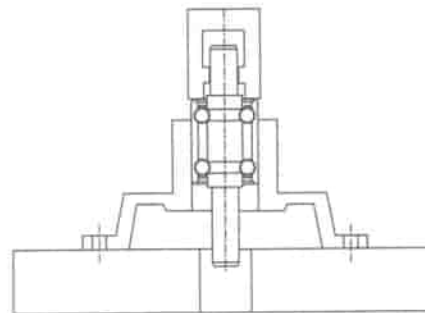
### B. clearance

It is important for customers to choose the right interference fit between the outer ring and the seating hole. Excessive interference fit can reduce bearings radial clearance and destroy the bearings so that the water pump can't work normally. Besides, the temperature increase can cause clearance amount decrease. Thus, the recommended interference fit is listed below.

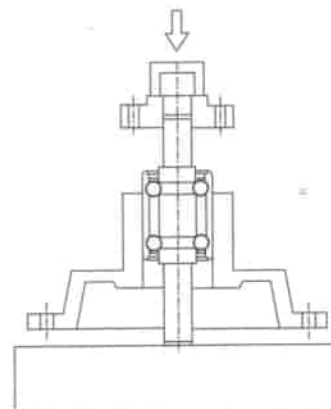
Bearing outer diameter D(mm)	Shell inside diameter deviation ( $\mu\text{m}$ )	
	iron	aluminum
below 30	25~45	35~55
over 30	32~55	55~76

### C. bearings installation

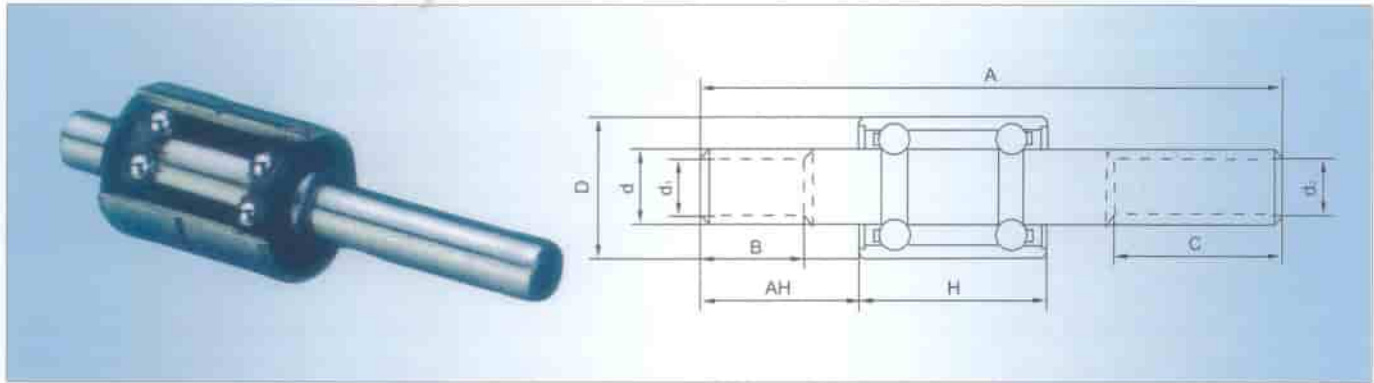
Water pump bearings are accurate mechanical parts. The installation directly affects bearings service life. It's not allowed to pass the pressure through rolling body in the installation. Meanwhile, it should prevent bearings injury from outside strike. The installation is described below.



bearing mounting



hub mounting



Bearing Designation					Boundary Dimensions mm									
VEGA	NSK	FAG	RHP	KOYO	D	H	A	AH	d	d <sub>1</sub>	d <sub>2</sub>	B	C	
W6484-1					30	38.9	123		15.976					
WB1224065		395837			24	33.38	65.41	16	12.038					
WB1224079		395671B			24	33.38	78.83	17	12.038					
WB1224080		416787C			24	33.38	80	14.2	12.738					
WB1224081-1		412619AA	FPS732		24	33.38	83.57	16.39	12.738					
WB1224083					24	25	83	21	12					
WB1224083-1		395835			24	33.38	82.73	16	12.038					
WB1224084		395726			24	33.38	83.9	22.2	12.038					
WB1224085					24	27	85	21	12.038					
WB1226086					26	39	86	12	12					
WB1226090				WPB12090BRS	26	39	89.5	16.5	12					
WB1226090-1				WPB12090ARS	26	39	90	14	12					
WB1226091				WPB12091RS	26	39	91	17	12					
WB1226093					26	39	93	16	12					
WB1226093-1				WPB12093RS	26	39	92.5	16.5	12					
WB1226094Y					26	39	94	21.5	12					
WB1226095	BWF26-14	WS2372		S16140R-5RS	26	39	94.5	21.5	12					
WB1226098				WPB12098-3RS	26	39	97.5	17.5	12					
WB1226099				S16140CRS	26	39	99	25	12					
WB1226102				S16140R-3RS	26	39	102.5	21.5	12					
WB1226103				WPB12104ARS	26	39	103.5	17.5	12					
WB1226103-1	BWF26-11	WS2407		WPB12103RS	26	39	103.5	21.5	12					
WB1226104					26	39	103.8	17.5	12					
WB1226105					26	39	104.4		12					
WB1226106				WPB12106RS	26	39	105.5	16.5	12					
WB1226114				WPB12114RS	26	39	113.5	17.5	12					
WB1226117					26	39	117	26	12					
WB1230106D					30	38.89	105.65	16.25	15.918	12	12	14.5	48	

Bearing Designation					Boundary Dimensions mm									
VEGA	NSK	FAG	RHP	KOYO	D	H	A	AH	d	d <sub>1</sub>	d <sub>2</sub>	B	C	
WB1530085					30	38.89	85	13.06	15		12		28.5	
WB1530096			FPS744		30	38.89	96.5	17.87	15.918		12.052		35.45	
WB1530100			FBS810		30	36.5	100	23.5	15.918					
WB1630068				WPB16068RS	30	38.89	68.4	25	15.918					
WB1630069		W2270			30	38.89	68.66	27.8	15.918					
WB1630073					30	38.89	73	17	16					
WB1630074			FPS878		30	38.89	73.91	11.4	15.918					
WB1630076			FPS832		30	38.89	75.6	27.01	15.918					
WB1630080-1					30	30	79.6		15.918		12		33	
WB1630080-3					30	23	80.3	17.2	15.918		12		38.5	
WB1630080-4					30	27	80	15.9	15.918					
WB1630080D					30	30	80	18	16	12	12	17	31	
WB1630081			FBS413		30	38.89	80.95	22.48	15.918					
WB1630083					30	27	82.5	17.7	15.918					
WB1630083C					30	25	83.1	16	15.918					
WB1630083D					30	30	83	18	16		12		33.8	
WB1630084					30	30	84	17	15.918		12		33	
WB1630084-1		W2334		WPB16084RS	30	38.89	84.4	13	15.918		12		30	
WB1630085-1			FPS694		30	38.89	85.22	15.21	15.918		12.042		29.21	
WB1630085-2					30	27	84.4	17	15.918					
WB1630085D			FBS855		30	38.89	84.99	15.07	15.918		12.037		28	
WB1630086				WPB16086/1RBS	30	30	86	16.5	15.918		12		37	
WB1630086D					30	38.89	86	17	16	15	12	16	33	
WB1630087-1					30	38.89	87.4		15.918					
WB1630087-4					30	38.89	86.5		15.918		12		32	
WB1630087C					30	38.89	86.5	13.5	15.918		12.038		32.7	
WB1630088-1					30	38.89	88	12.4	15.918		12		35.3	
WB1630088-2					30	30	87.5	13.5	15.918		12		37.5	
WB1630091C					30	38.89	91	13.5	15.918		12		36	
WB1630091D				WPB16091RS	30	38.89	91.5	17.56	15.918	12	12	15.5	33	
WB1630092	885477	W2364S	FPS908	885477ARSE	30	38.89	92.48	25.12	15.918		12.037		26.06	
WB1630092-1			FPS337		30	38.89	91.85	20.45	15.918		12.675		29.34	
WB1630092-2					30	38.89	92		16					
WB1630092D					30	38.89	92	16.5	15.918	12	12	14.5	34.5	
WB1630093	885330	W2366		WPB163093RS	30	38.89	93	18.5	15.918					
WB1630093					30	38.89	93.25	16.25	16	12	12	14.5	35.75	
WB1630093-1				WPB16093-1RS	30	38.89	93	18.5	15.918		12		32.6	
WB1630093D				WPB16093-4RS	30	38.89	92.5	16.5	15.918		12		34.5	
WB1630094			FPS926		30	38.89	94.5	35.11	15.918					
WB1630095				WPB16095CRS	30	38.89	94.6	19.2	15.918		12		33.5	
WB1630097					30	30	97		15.918					
WB1630098-1			FPS519		30	38.89	97.51	23.49	15.918					
WB1630098-2	885110	W2384S			30	38.89	97.65	19.05	15.918		12.675		36.53	
WB1630098-3	885324		FPS849		30	38.89	97.82	17.88	15.918					
WB1630098-4		W2385-4			30	38.89	98	20	15.918					
WB1630098-5		W2386S	FPS811		30	38.89	98.04	18.51	15.918		12.235		238	
WB1630098-6					30	38.89	97.65		15.918					
WB1630098A	885307	W2385	FPS595		30	38.89	98	17	15.918					
WB1630098C				WPB16095-2RS	30	38.89	98	16	15.918		12		40.6	

VEGA	Bearing Designation				Boundary Dimensions mm									
	NSK	FAG	RHP	KOYO	D	H	A	AH	d	d <sub>1</sub>	d <sub>2</sub>	B	C	
WB1630098CA		W2385-6			30	38.89	98	17.06	15.918					
WB1630098W					30	38.89	98	16.5	15.918					
WB1630099	885474	W2387S	FPS815	WPB16099-1RS	30	38.89	98.5	22.55	15.918		12		33.76	
WB1630099-1				WPB16099-5RS	30	38.89	98.5	16.5	15.918	12	12		40.5	
WB1630099-2	885301				30	38.89	98.88	23.62	15.918	15	15	21.13	32.51	
WB1630099-3					30	38.89	98.5	16.25	16	12	12	14.5	50.25	
WB1630100				WPB16100ARS	30	38.89	100	24	15.918		12		35	
WB1630100-1					30	39	100	21	15.918		12		37.5	
WB1630101					30	38.89	101	25	16		12		35	
WB1630101-1	885467	W2398-1S	FPS919		30	38.89	101.24	29	15.918	12.007	12.687	25.4	31.01	
WB1630101-2					30	38.89	101.2	21.8	15.918					
WB1630101D	885328			BWF3044	30	38.89	101	24	15.918	14	12	20.5	35.1	
WB1630102	885321	W3399			30	38.89	101.5	17.5	15.938					
WB1630102-1				885685RSE	30	38.89	101.5	17.5	15.918					
WB1630102-3		W2401-3	FPS120		30	38.89	102.01	16.92	15.918					
WB1630102-4				WPB16102CRSE	30	38.89	102.26	35	15.918	15	15	32.92	26.04	
WB1630102-5		W2404S	FPS623	WPB16102BRSE	30	38.89	102.62	24.45	15.918		12.674		38.1	
WB1630102A	885147		FPS1		30	38.89	102.5	22	15.918		12.675		38.5	
WB1630103-1			FPS484		30	38.89	102.74	35.02	15.918	12.7	12.014	30.5	23.75	
WB1630103-2	885405			WPB16102-4RSE	30	38.89	102.74	28.77	15.918	12.014	12.7	25.5	32	
WB1630103-3			FPS532	WPB16102ARSE	30	38.89	102.87	22.7	15.918		12.675		38.1	
WB1630103-4			FPS620	WPB16103ERSE	30	38.89	102.87	23.11	15.918					
WB1630103D				WPB16103-9RS	30	38.89	103	16.51	15.918		12		43	
885140	885595	W2406-2	FPS17	885140BRSE	30	38.89	103.2	23.42	15.918					
WB1630104					30	38.89	104	16.25	16	12	12	14.5	46.5	
WB1630104-1					30	38.89	103.8	17.5	16	12	12	16	44.8	
WB1630104-2		W24071S	FPS835		30	38.89	103.5	21.56	15.918		12		39.75	
WB1630104-3	BWF3088				30	38.89	103.51	19.56	15.918		12		42	
WB1630104-4			FPS601		30	38.89	103.84	22.33	15.918					
WB1630104-5					30	38.89	104		15.918		12		35.1	
WB1630104-6	BWF30AA		FPS734	R16150-1RS	30	38.89	103.5	21.58	15.918	12	12	18.26	39.75	
WB1630104D					30	39	103.65	21.5	15.92		12		36	
WB1630105					30	38.89	105.3	16.2	16	12	12	15	48	
WB1630105-1		W2412-1			30	38.89	104.65	20.3	15.918					
WB1630105-2	885602	W2412	FPS239		30	38.89	104.68	27.05	15.918					
WB1630105-3			FPS917		30	38.89	105	47.16	15.918					
WB1630105-4			FPS26		30	38.89	105.16	23.95	15.918					
WB1630105-5				885699RSE	30	38.89	105.46	20.63	15.918					
WB1630105-6					30	38.89	105		15.918		12		33.3	
885159	885159	W2414	FPS860		30	38.89	105.4	24.21	15.918					
WB1630106	885490		FPS104	WPB16106-3RSEH	30	38.89	106	26.11	16					
WB1630106-1		W2415-1S	FPS106	WPB16105BRS	30	38.89	105.5	24.05	15.918		12		40	
WB1630106-2				WPB16106MRS	30	38.89	105.5	16.5	15.918	12	12	13.1	46	
WB1630106-3	885097	W2417-2			30	38.89	106	20.65	15.918					
WB1630106-4		W2418-1		WPS16106DRS	30	38.89	106.17	25.15	15.918					
WB1630106-5	885439	W2418S	FPS730	KWPB16106DRSE	30	38.89	106.17	25.12	15.918		12.738		38.86	
WB1630106-6				WPB16106JRS	30	38.89	106.12	18.5	15.918		12		41	
WB1630106-7					30	38.89	106.17	20.8	15.918					
WB1630106-8					30	38.9	105.5	23.5	15.918		12		40.5	
WB1630106D					30	38.89	106	25	16		12		40	



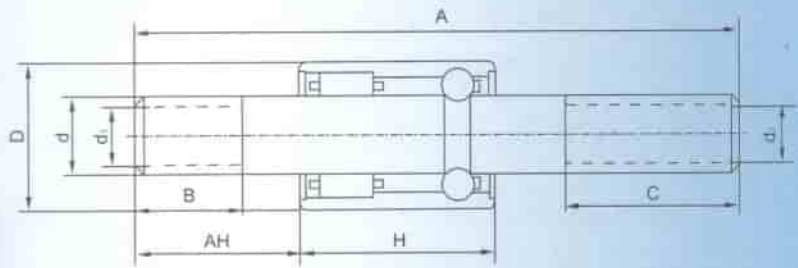
Bearing Designation					Boundary Dimensions mm								
VEGA	NSK	FAG	RHP	KOYO	D	H	A	AH	d	d <sub>1</sub>	d <sub>2</sub>	B	C
WB1630106D-9					30	38.89	105.7	17.5	16	12	12	16	46.7
WB1630106G					30	38.9	106		16				
WB1630106W					30	38.89	106	30	15.918		12		34
WB1630107				WPS16107BRSE	30	38.89	106.5	27.8	15.918	15.01	12.052	26.1	35
WB1630108				D607010RS	30	38.89	108	21.5	15.918		12		44.5
WB1630109				WPB16109RS	30	38.89	109	27.31	16		12		33.5
WB1630109-1		W2418-1		885111-D	30	38.89	108.74	27.38	15.918				
WB1630110		W2431-2S			30	38.89	109.5	25.1	15.918		12.04		38.8
WB1630110-1	885107b	W2431	FPS520		30	38.89	109.52	14.67	15.918				
WB1630110-2	885305				30	38.89	110	23.52	15.918				
8855245	885524S	W2433-2	FPS456		30	38.89	110	24	15.918		12		46
WB1630111					30	38.89	113.6	28.96	15.918				
WB1630112	885167			885167	30	38.89	111.51	23.8	15.918				
WB1630112-1		W2440-4	FPS208	885167DRSE	30	38.89	111.75	29.21	15.918				
WB1630112-2	885098	W2440-1			30	38.89	111.91	26.7	15.918				
WB1630112-3				WPB116112-5RS	30	38.89	112	25.15	15.918				
WB1630112-4	885327	W2440-5S		BWF3076B	30	38.89	112	30	15.918		12		40.49
WB1630112-5		W2441-1			30	38.9	112	27	15.918				
WB1630112-6		W2442			30	38.89	112.4	23.37	15.918				
WB1630112D					30	38.89	111.65	21.5	15.918		12		44
WB1630113-1			FPS23		30	38.89	112.52	31.26	15.918				
WB1630113-2			FPS16		30	38.89	112.67	25.52	15.918				
WB1630113-3	885614				30	38.89	112.78	30	15.918				
WB1630113-4		W2445		885155	30	38.89	113.11	31.75	15.918				
WB1630113-5			FPS48	WPB16113CRSE	30	38.89	113.21	32	15.918				
WB1630113-6	N885156	W2446	FPS24	885156-S	30	38.9	113.49	27.38	15.918				
WB1630113-7					30	38.89	113	18.5	15.918		12		53.6
WB1630114					30	38.89	114	24	15.918				
WB1630114-1		W2447			30	38.89	113.67	31.6	15.918				
WB1630114-2	885697	W2450-2		C8DE8530-1RSE	30	38.89	114.3	32	15.918				
WB1630114-3					30	38.89	113.6	17	15.918	12	12	15	55.6
WB1630114-4					30	38.89	114		15.918		12		47.8
WB1630115-1				WPB16115-1RS	30	38.89	114.54	29.4	15.918		12		42.5
WB1630115-2	885133-A			885133ARSE	30	38.89	114.81	32	15.918				
WB1630115-4					30	38.89	115	26.11	16				
WB1630115-5				WPB16115-3ARS	30	38.89	115	16.5	15.918		12		36
WB1630115HW					30	38.89	115	26.11	16				
885167	885167		FPS153		30	38.89	115.51	27.8	15.918				
WB1630116					30	38.89	116	26	15.918		12		46
WB1630116-1	885495	W2455	FPS54		30	38.89	115.75	26.85	15.918				
WB1630116-2				WPB16116-1RS	30	38.89	116	30.06	15.918		12		43
WB1630116C					30	38.89	116	27.11	15.918				
WB1630117					30	38.89	116.5	27.5	16		13		47
WB1630117-1		W2462-2		885190	30	38.89	117.35	33.96	15.918				
WB1630118		W2465			30	38.9	118.26	14.68	15.918				
885118	885118	W2468	FPS122	885118RSE	30	38.89	119.07	37.31	15.918				
WB1630119-1	885135S	W2470		885135CRSE	30	38.89	119.46	32.54	15.918				
WB1630119-2	885637				30	38.89	119.46	40.82	15.918				
WB1630119-3					30	38.89	119	22.5	15.918		12		55
WB1630119C					30	38.89	119.3	37.6	15.918				

Bearing Designation					Boundary Dimensions mm									
VEGA	NSK	FAG	RHP	KOYO	D	H	A	AH	d	d <sub>1</sub>	d <sub>2</sub>	B	C	
WB1630120					30	38.89	120	31	15.918					
WB1630120-1	885584S	W2472		885584	30	38.89	119.84	36.5	15.918					
WB1630121	885105	W2476		885105	30	38.89	120.9	29.46	15.918					
WB1630121-1		W2475		885222	30	38.9	120.65	38.12	15.918					
WB1630121-2					30	39	121	24	15.918		12		53.6	
WB1630122		W2479-1		885208	30	38.89	121.87	37.26	15.918					
WB1630122-1	885238	W2478-1	FPS659		30	38.89	121.62	31.42	15.918					
WB1630122-2			FPS674		30	38.89	121.92	41.37	15.918		12.675		38.1	
WB1630122-3			FPS668		30	38.89	122.12	32.96	15.918		12.703		44.7	
WB1630122-4	885476	W2481			30	38.89	122.17	33.88	15.918					
WB1630122-5	885168H		FPS290		30	38.89	122.22	28.67	15.918					
WB1630122-6	885168C	W2481-1	FPS163	885168-1	30	38.89	122.22	28.58	15.918					
WB1630122-7					30	38.89	122.4	33.5	15.918					
WB1630122D					30	38.89	121.5	25	16		12		47.5	
WB1630122X					30	38.89	122	26.5	15.918					
885168	885168AD	W2481-6		885168AA	30	38.89	122.22	40.18	15.918					
WB1630123		W2484			30	38.9	123.04	36.86	15.918					
WB1630123-1				WPB16122-1RSE	30	39	123		15.918					
WB1630124					30	38.89	124	21	15.918					
WB1630124-1					30	57.15	123.2	25.5	15.918					
WB1630124-2			FPS109	WPB16124RS	30	38.89	124	42.61	15.918		12		40	
WB1630124-3	885326	W2488S		BWF3089	30	38.89	124	41.78	15.918		12		40.49	
WB1630124-4	885245	W2489-2	FPS923	885245RSE	30	38.89	124.4	40	15.918					
WB1630124-5					30	39	124	23	15.918		12		60.5	
WB1630124-6	885100B	W2486-2		885100B	30	38.89	123.67	31.75	15.918					
WB1630125			FPS188		30	38.9	124.5	30.14	15.918		15.817		40.64	
WB1630125-1	885534S				30	38.89	124.97	39.12	15.918					
WB1630125-2					30	38.89	124.5	40	15.918					
WB1630126		W2496			30	38.89	126	34.3	15.918					
WB1630127					30	38.89	127	36	16	M12		19		
WB1630127-1			FPS204	885142-C	30	38.89	127	44.55	15.918					
WB1630127-2			FPS374	WOB16127CRSE	30	38.89	127	37.94	15.918		12.7		35.56	
WB1630127-3	885142D	W2500-2			30	38.89	127	32.56	15.918					
WB1630127D					30	38.89	127	27	15.918		12		59	
WB1630128					30	38.89	127.7	22.41	15.918					
WB1630128-1	885151B	W2405-6		885151-B	30	38.89	127.79	44.45	15.918					
WB1630128-2	885141		FPS18	885141RSE	30	38.89	127.79	25.8	15.918					
885169	885169	W2507	FPS42	885169-1	30	38.89	129	31.75	15.918					
WB1630130					30	38.89	130	41	15.918					
WB1630132		W2520	FPS389		30	38.89	132.16	50.42	15.918					
WB1630132-1	885104A				30	38.89	132.16	47.85	15.918					
885104					30	38.89	132.16		15.918					
WB1630133				885113-B	30	38.89	132.54	40.87	15.918					
WB1630133-1				885113CRSE	30	38.89	132.64	29.77	15.918					
WB1630133-2	885611	W3522-1	FPS661		30	38.89	132.64	29.77	15.938					
WB1630133-3			FPS602		30	38.89	133.1	55.35	15.918					
WB1630133-4	885415	W2524-1			30	38.89	133.25	38.86	15.918					
WB1630134	885113	W2527		885113BRSE	30	38.89	133.86	42.65	15.918					
WB1630135	885158AA	W2531-1		K885158AA	30	38.89	134.92	33.15	15.918					
WB1630135-1	885437S	W2532	FPS786		30	38.89	135.28	50.85	15.918					
WB1630135-2				885437RSE	30	38.89	135.28	45.59	15.918					

Bearing Designation					Boundary Dimensions mm								
VEGA	NSK	FAG	RHP	KOYO	D	H	A	AH	d	d <sub>1</sub>	d <sub>2</sub>	B	C
WB1630106D-9					30	38.89	105.7	17.5	16	12	12	16	46.7
WB1630106G					30	38.9	106		16				
WB1630106W					30	38.89	106	30	15.918		12		34
WB1630107				WPS16107BRSE	30	38.89	106.5	27.8	15.918	15.01	12.052	26.1	35
WB1630108				D607010RS	30	38.89	108	21.5	15.918		12		44.5
WB1630109				WPB16109RS	30	38.89	109	27.31	16		12		33.5
WB1630109-1		W2418-1		885111-D	30	38.89	108.74	27.38	15.918				
WB1630110		W2431-2S			30	38.89	109.5	25.1	15.918		12.04		38.8
WB1630110-1	885107b	W2431	FPS520		30	38.89	109.52	14.67	15.918				
WB1630110-2	885305				30	38.89	110	23.52	15.918				
8855245	885524S	W2433-2	FPS456		30	38.89	110	24	15.918		12		46
WB1630111					30	38.89	113.6	28.96	15.918				
WB1630112	885167			885167	30	38.89	111.51	23.8	15.918				
WB1630112-1		W2440-4	FPS208	885167DRSE	30	38.89	111.75	29.21	15.918				
WB1630112-2	885098	W2440-1			30	38.89	111.91	26.7	15.918				
WB1630112-3				WPB116112-5RS	30	38.89	112	25.15	15.918				
WB1630112-4	885327	W2440-5S		BWF3076B	30	38.89	112	30	15.918		12		40.49
WB1630112-5		W2441-1			30	38.9	112	27	15.918				
WB1630112-6		W2442			30	38.89	112.4	23.37	15.918				
WB1630112D					30	38.89	111.65	21.5	15.918		12		44
WB1630113-1			FPS23		30	38.89	112.52	31.26	15.918				
WB1630113-2			FPS16		30	38.89	112.67	25.52	15.918				
WB1630113-3	885614				30	38.89	112.78	30	15.918				
WB1630113-4		W2445		885155	30	38.89	113.11	31.75	15.918				
WB1630113-5			FPS48	WPB16113CRSE	30	38.89	113.21	32	15.918				
WB1630113-6	N885156	W2446	FPS24	885156-S	30	38.9	113.49	27.38	15.918				
WB1630113-7					30	38.89	113	18.5	15.918		12		53.6
WB1630114					30	38.89	114	24	15.918				
WB1630114-1		W2447			30	38.89	113.67	31.6	15.918				
WB1630114-2	885697	W2450-2		C8DE8530-1RSE	30	38.89	114.3	32	15.918				
WB1630114-3					30	38.89	113.6	17	15.918	12	12	15	55.6
WB1630114-4					30	38.89	114		15.918		12		47.8
WB1630115-1				WPB16115-1RS	30	38.89	114.54	29.4	15.918		12		42.5
WB1630115-2	885133-A			885133ARSE	30	38.89	114.81	32	15.918				
WB1630115-4					30	38.89	115	26.11	16				
WB1630115-5				WPB16115-3ARS	30	38.89	115	16.5	15.918		12		36
WB1630115HW					30	38.89	115	26.11	16				
885167	885167		FPS153		30	38.89	115.51	27.8	15.918				
WB1630116					30	38.89	116	26	15.918		12		46
WB1630116-1	885495	W2455	FPS54		30	38.89	115.75	26.85	15.918				
WB1630116-2				WPB16116-1RS	30	38.89	116	30.06	15.918		12		43
WB1630116C					30	38.89	116	27.11	15.918				
WB1630117					30	38.89	116.5	27.5	16		13		47
WB1630117-1		W2462-2		885190	30	38.89	117.35	33.96	15.918				
WB1630118		W2465			30	38.9	118.26	14.68	15.918				
885118	885118	W2468	FPS122	885118RSE	30	38.89	119.07	37.31	15.918				
WB1630119-1	885135S	W2470		885135CRSE	30	38.89	119.46	32.54	15.918				
WB1630119-2	885637				30	38.89	119.46	40.82	15.918				
WB1630119-3					30	38.89	119	22.5	15.918		12		55
WB1630119C					30	38.89	119.3	37.6	15.918				

Bearing Designation					Boundary Dimensions mm								
VEGA	NSK	FAG	RHP	KOYO	D	H	A	AH	d	d <sub>i</sub>	d <sub>e</sub>	B	C
WB1630136			FPS386	885093SRSE	30	38.89	135.74	44.5	15.918				
WB1630136-1	885093	W2534-1		885093S	30	38.89	135.74	52.4	15.918				
WB1630136-2	885158P	W2537	FPS7	WPB16136GBRSE	30	38.89	136.4	39.1	15.918				
WB1630137				885672	30	38.89	137.49	40	15.918				
WB1630138		W2542	FPS287		30	38.89	137.67	46.23	15.918				
WB1630138-1			FPS25	885158-1RSE	30	38.89	138.1	40.89	15.918				
WB1630138-2	885158			885158-1	30	38.89	138.1	58.34	15.918				
WB1630138-3		W2543			30	38.89	138.1	45.7	15.918				
WB1630139	885603	W2548-1	FPS397	885603	30	38.89	139.32	35.05	15.918				
WB1630141	885248	W2555	FPS757	885248RSE	30	38.89	141	49	15.918				
WB1630141-1	885458	W2556	FPS885		30	38.89	141.22	38.93	15.918				
WB1630142		W2559			30	38.89	142.1	44.86	15.918				
WB1630143	885141	W2562	FPS19	885141-1	30	38.89	142.88	40.08	15.918				
WB1630144			FPS525		30	38.89	144.28	52.71	15.918	12.703		47.24	
WB1630146	885694S	W2575-1	FPS612	885694	30	38.89	146.2	61.72	15.918				
WB1630150					30	38.89	150	52	15.918	12	M10	50.5	48.5
WB1630150-1	885166C			885166C	30	38.89	150	35.1	15.918				
WB1630154		W2606			30	38.89	154	34.04	15.918				
WB1630154-1			FPS776	885125C	30	38.89	154.23	29.77	15.918				
WB1630154-2	885613	W3607	FPS722		30	38.89	154.23	29.77	15.918				
WB1630156				885671	30	38.89	155.58	69.95	15.918				
WB1630160	885094	W2629-1		885094S	30	38.89	159.54	76.2	15.918				
WB1630160-1	885136B	W26294		885136B	30	38.89	159.77	62.66	15.918				
WB1630161	885117	W2637		885117	30	38.89	161.47	58.34	15.918				
WB1630166			FPS61		30	38.89	165.85	63.48	15.918				
WB1630167			FPS646		30	38.89	177.09	79.88	15.918				
WB1635073					35	22.5	73	14.5	16		12		34.2
WB1635091					35	38.9	91		15.918				
WB1635101					35	38.89	101				12		35
WB1730071				WPB1730071RS	30	23	71	13.5	17				32
WB1730078				WPB1730078RS	30	23	77.8	15.5	15.918		12		37.3
WB1736091					36	38.89	90.7	14	17		15		34
WB1736091-1					36	38.89	90.7		17		12		34
WB1740136					40	46	136	26	19	17	17	24	62
WB1835119					35	46	119	26.5	18		13		42.2
WB1938121			FPS135	885800CRSE	38.1	53.975	120.65	24.260	18.961		15.918		39.675
885802					38.1	53.975	95.4	14.7	18.948	15.928		11.3	
885825					38.1	41.275	120.65		18.961		15.918		43.26
WB1938126			FPS470	885832RSE	38.1	53.975	125.73	30.861	18.961	15.918	15.918	27.432	37.338
WB1938127		WK2509	FPS139	885811RSE	38.1	53.975	127	31.369	18.961		15.918		38.1
WB1938127-1				885775RSE	38.1	53.975	127	26.67	18.961	15.938	15.918	11.634	44.45
WB1938127-2				885869RSE	38.1	53.975	127.51	31.115	18.961	15.918	15.918	14.275	39.078
885869					38.1	53.975	127.48		18.961	15.918	15.918	13.72	39.29
WB1938132				885821BRSE	38.1	53.975	132.08	29.845	18.961	15.918	15.918	12.319	43.18
WB1938134				W9B134RSE	38.1	53.975	134.05	37.605	18.961		15.918		39.678
WB1938134-1				C9DE8530C	38.1	53.975	134.112	30.353	18.961		15.918		47.244
WB1938136		WK2538	FPS138	885810RSE	38.1	53.975	136.652	36.703	18.961	15.918	15.918	33.02	42.418
WB1938136-1		WK2537-1	FPS662	885737RSE	38.1	53.975	136.398	36.195	18.961	15.918	15.918	12.219	43.434
WB1938136-2		WK2528-2		885735RSE	38.1	53.975	135.636	31.877	18.961		15.918		47.244
WB1938137				885870RSE	38.1	53.975	136.779	40.366	18.961	15.918	15.918	14.275	39.873
WB1938140				885720RSE	38.1	53.975	140.589	39.624	18.961		15.918		43.815

Bearing Designation					Boundary Dimensions mm								
VEGA	NSK	FAG	RHP	KOYO	D	H	A	AH	d	d <sub>i</sub>	d <sub>o</sub>	B	C
WB1938140-1		WK2550	FPS399	885821RSE	38.1	53.975	139.7	35.56	18.961	15.918	15.918	15.392	47.752
WB1938140-2				W9B140L	38.1	53.975	140	33.7	18.961	15.918	15.918	29	49.146
885815					38.1	53.975	141.76		18.961		15.918		51.59
WB1938142		WK6558		885842RSE	38.1	53.975	141.757	43.84	18.961		15.918		41.021
WB1938143				885862ARSE	38.1	53.975	143.485	30.836	18.961	15.918	15.918	12.243	45.72
WB1938143-1				885815ARSE	38.1	53.975	143.256	35.305	18.961		15.918		49.2
WB1938144				80DA8530AA	38.1	53.975	143.764	41.021	18.961	15.918	15.918	37.5	44.577
WB1938145				885802RS	38.1	53.975	145.796	44.704	18.961		15.918		44.45
WB1938145-1		WK2574-2	FPS366	885818RSE	38.1	53.975	145.796	44.704	18.961		15.918		40.767
WB1938146				885747RSE	38.1	53.975	146.05	36.322	18.961	15.918	15.918	13.716	51.562
WB1938146-1				885760RSE	38.1	53.975	146.05	36.322	18.961	15.918	15.918	33.02	51.562
885790					38.1	53.975	148.84		18.961	15.918	15.918	34.92	49.66
WB1938150				885764RSE	38.1	53.975	150.52	35.052	18.961		15.918		56.318
WB1938152				885844RSE	38.1	41.275	152.4	35.66	18.961	15.918	15.918	15.265	60.528
WB1938153				885807CRSE	38.1	53.975	153.416	45.72	18.961		15.918		50.546
WB1938153-1				885857RSE	38.1	53.975	152.908	53.694	18.961	15.918	15.918	28.448	41.783
WB1938153-2				885865A	38.1	53.975	152.908	46.355	18.961	15.918	15.918	28.575	43.035
WB1938154				885825CRSE	38.1	53.975	154.229	29.769	18.961	15.918	15.918	8.89	57.15
885746					38.1	53.975	156.6		18.961		15.918		59.82
885884					38.1	53.975	161		18.961	15.918	15.918	33.53	55.88
WB1940113					40	46	113	23	19	17	15.939	42	20
WB1940113T					40	46	113	17	19		12		45.5
WB1940122					40	46	121.5	23	19	17	15.939	20	50.55
WB1940123					40	46	123	23	19	15.918	15.918	21	52
WB1940126					40	46	126	30.2	19		12		45
WB1940137					40	46	137	23	18.961		12		63
WB1940143					40	46	143		19	15.918	15.918	20	72
WB1942115					42	46	115.5	43	19	18	18	38.5	24



Bearing Designation					Boundary Dimensions mm								
VEGA	NSK	FAG	RHP	KOYO	D	H	A	AH	d	d <sub>1</sub>	d <sub>2</sub>	B	C
WR1230104					30	38.89	104.5	17.5	15.918	12	12	16	45.5
WR1230105C					30	38.89	105.65	16.25	15.918	12	12	14.5	48.15
WR1530114					30	38.89	106.5	19.8	16				
WR1630079					30	28	79	14	16		12		34.5
WR1630083					30	28	82.7	17.7	16		12		34.5
WR1630084					30	30	84		15.918		12		36.3
WR1630085					30	30	85	17	15.918		12.038		36
WR1630085-1					30	30	85	17	15.918		12		12.038
WR1630087C					30	38.8	86.5	13.5	15.918		12		32.7
WR1630087C-2					30	38.8	86.5	13.5	15.918		12		32.7
WR1630091					30	38.89	91		15.918		12		36
WR1630091-2					30	38.89	90.5	14.81	15.918		12		34.5
WR1630091C					30	38.89	91	13.5	15.918		12		36
WR1630092					30	38.89	92		16				
WR1630093					30	38.9	93		15.918		12		33
WR1630093-1					30	38.9	93.6		15.918		12		38
WR1630095					30	33.38	95		15.918		12		37
WR1630095-1					30	30	95.5	16.5	15.918		12		46.5
WR1630096					30	38.9	95.5		15.918				
WR1630096-2					30	38.9	95.8		15.918		12		38.5
WR1630096-3					30	38.9	96.52		15.918				
WR1630098					30	38.9	99	17	15.918				
WR1630100					30	46	100	17	16		12		34
WR1630101					30	38.9	101		15.918				
WR1630102-2					30	38.9	102.2		15.918		12		37.5
WR1630102-3					30	38.89	101.5		15.918		12.038		41.65
WR1630102C					30	38.9	101.5		15.918				
WR1630103					30	38.89	103.12		15.918				
WR1630103-1					30	38.89	103.12	27.94	15.918				
WR1630105-1					30	39	104.2	16.9	15.918		12		46.5
WR1630105C					30	38.8	104.5	16.5	15.918		12		48.2
WR1630106					30	38.9	106.2		15.918		12		41.4
WR1630106-1					30	38.9	105.7	17.5	15.918	12	12	16	46.7
WR1630106-2					30	38.89	106	30	15.918				
WR1630106-3					30	38.9	106.3		15.918		12		39.9
WR1630106C					30	38.89	102.5	27.93	15.918				
WR1630107					30	38.89	107	21.5	15.918				43
WR1630110					30	38.9	109.5		15.918	12.038	12.038	14	51.5
WR1630110-1					30	38.89	110		15.918				
WR1630115-1					30	38.9	115.4		15.918		12		46.1
WR1630116					30	38.89	114	24	15				
WR1630117					30	38.89	116.6		15.918				
WR1630119					30	38.89	115.8	27.93	15.918				
WR1630124					30	38.9	124	35	15.918	12	12	33	48
WR1630128					30	38.89	119	18.11	15.918				
WR1630129D					30	38.89	128	25.61	16		12		48.5
WR1630133					30	38.9	132.7		15.918				
WR1630135C					30	38.89	129	38.11	16		12		49
WR1630136					30	38.9	135.8		15.918		12		61.9
WR1630139					30	38.89	139	23.11	15.918				
WR1630139C					30	38.89	136.5	47.5	16		M14		46.5
WR1630148					30	38.89	148	28.48	15.918				

Bearing Designation					Boundary Dimensions mm									
VEGA	NSK	FAG	RHP	KOYO	D	H	A	AH	d	d <sub>i</sub>	d <sub>e</sub>	B	C	
WR1635096					35	38.9	96		15.918	12.038	12.038	15	37	
WR1635101				W7R101B	35	39	101	25	17.5	15.918	12	23.5	33.8	
WR1635101-2					35	39	100.5	24	15.918		12		36	
WR1635101A-1					35	39	101		15.918		12		34.8	
WR1635106					35	39	106	42	17.5	15.918	12	28.5	34.8	
WR1635112				W7R112B	35	39	112		17.5	15.918	12	41.5	40.5	
WR1635124				W7R124A	35	39	124	30	17.5	15.918	12	39.5	28.5	
WR1835103					35	39	103.2	26.5	18	15.918	12	24.5	35.7	
WR1835123					35	56	122.6		18		12		35.2	
WR1938099					38.1	41.275	99	19.5	19	15.918	12	17.5	36	
WR1938101					38.1	37	101		19	15.918	12	23.2	36.8	
WR1938117					38.1	41.3	117.2		19		15.918		47.4	
WR1938117-1					38.1	54	117.2		19		15.918		43	
WR1938117-2					38.1	41.3	117.2		19		15.918		48	
WR1938120					38.1	54	120.7		19		15.918		38.4	
WR1938123					38.1	54	123		19	15.918	15.918	13.5	35.5	
WR1938125					38.1	54	125.3		19		15.918		40	
WR1938126					38.1	54	126		19	15.918	15.918	14	39	
WR1938126-1					38.1	54	126		19	15.918	12	26.5	37	
WR1938128					38.1	54	127.7		19		15.918		40	
WR1938129					38.1	54	128.6		19		15.918		54.5	
WR1938129-1					38.1	54	128.7		19		15.918		41.7	
WR1938129-3					38.1	54	129		19		15.918		42.1	
WR1938133					38.1	54	133		19	15.918	15.918	12	46	
WR1938134					38.1	54	134.2	22.4	19		15.918		49.7	
WR1938134-1					38.1	54	134		19		15.918		47.5	
WR1938135					38.1	54	135		19		15.918		41	
WR1938135-1					38.1	54	135		19		15.918		41.4	
WR1938136-3					38.1	54	135		19		15.918		56	
WR1938136-4					38.1	54	136.5		19		15.918		58.5	
WR1938139					38.1	54	139.2		19		15.918		46.5	
WR1938145					38.1	54	144.5		19		15.918		46	
WR1938151					38.1	54	150.5		19	15.918	15.918	14	49	
WR1938154					38.1	54	154.4		19	15.918	15.918	9.5	57	
WR1938155					38.1	54	155.1		19		15.918		59.7	
WR1938157					38.1	54	156.5		19	15.918	15.918	15	53	
WR1938158					38.1	54	158.1		19	15.918	15.918	14.3	57	
WR1938165					38.1	54	165.3		19		15.918		70.4	
WR1938166					38.1	54	166.5		19		15.918		64	
WR2038118					38.1	50	116	19	20	18.96	15.918	18	46	
WR2040105					40	42	105		20		15.918		40.5	
WR2040105C					40	42	105	20.5	20	15.918	15.918	19.5	40.5	
WR2040112					40	44	111.5		20		15.918		41	
WR2040151					40	50	151		20		16		44	
WR2040151C					40	50	151	49.5	20	16	M14	44	49	
WR2042115					42	46	115.5		20		13		38.5	
WR2242111					42	46	110.8		22		12		33.8	
WR2242136					42	56	138.5		22		15.918		52.5	
WR2247165					47	62.5	165		22		17		55.5	
WR2552133					52	52	133		25		15.92		50	
WR2552138					52	56	138		25		15.92		50	

Bearing Designation					Boundary Dimensions mm									
VEGA	NSK	FAG	RHP	KOYO	D	H	A	AH	d	d <sub>1</sub>	d <sub>2</sub>	B	C	
WR2552138-4					52	56	138		25		15.92		50	
WR2552138C					52	56	138		25		15.92		50	
WR2552140-1					52	52	140		25		15.92		47	
WR2552143					52	56	143		25		15.92		50	
WR2552145-1					52	52	145		25		15.92		62	
WR2552150					52	56	150		25		15.92		57	
WR2552153					52	56	153		25		15.92		54.5	
WR2552155					52	70	155		25		15.92		50	
WR2552162					52	56	162		25		15.92		59	
WR2552163					52	56	163		25		15.92		50	
WR2552163-1					52	56	163		25		15.92		50	
WR2552164					52	56	164		25		15.92		64	
WR2552165					52	56	165		25		15.92		54.5	
WR2552208					52	56	208		25	M14	15.92	18	50	
WR2555127A					55	60	127		25		15.92		40.9	
WR2555145					55	60	145		25	19	15.92	28.5	50	
WR3258133					58	52	133		32		15.918		51	
WR3258140					58	52	140		32		15.918		51	
WR3258152					58	62.5	152		32		17		62	
WR3258155					58	70	155		32		15.918		51	
WRR2552165					52	78	165.5		25		15.918		50.5	